

fubag

Компрессор с набором
аксессуаров

Air compressor with kit

Operator's Manual

Инструкция по эксплуатации

**AIR MASTER KIT
PAINT MASTER KIT
HOUSE MASTER KIT
WOOD MASTER KIT
HOBBY MASTER KIT
SERVICE MASTER KIT
GARDEN MASTER KIT**



www.fubag.ru

Тиберис

www.tiberis.ru

sales@tiberis.ru

8-800-100-6756



Before use, read the handbook carefully.
Перед тем, как приступить к работе,
внимательно прочитайте инструкцию по
эксплуатации.



Tank capacity
Объем ресивера



Warning, hot surfaces
Опасность ожога



Air intake
Производительность



Obligatory eye protection
Обязательная защита органов зрения



Max. pressure
Максимальное давление



Danger - automatic control (closed loop)
Опасность автоматического включения



Revolutions / min. (rpm)
Кол-во оборотов в минуту



Dangerous voltage
Опасное напряжение



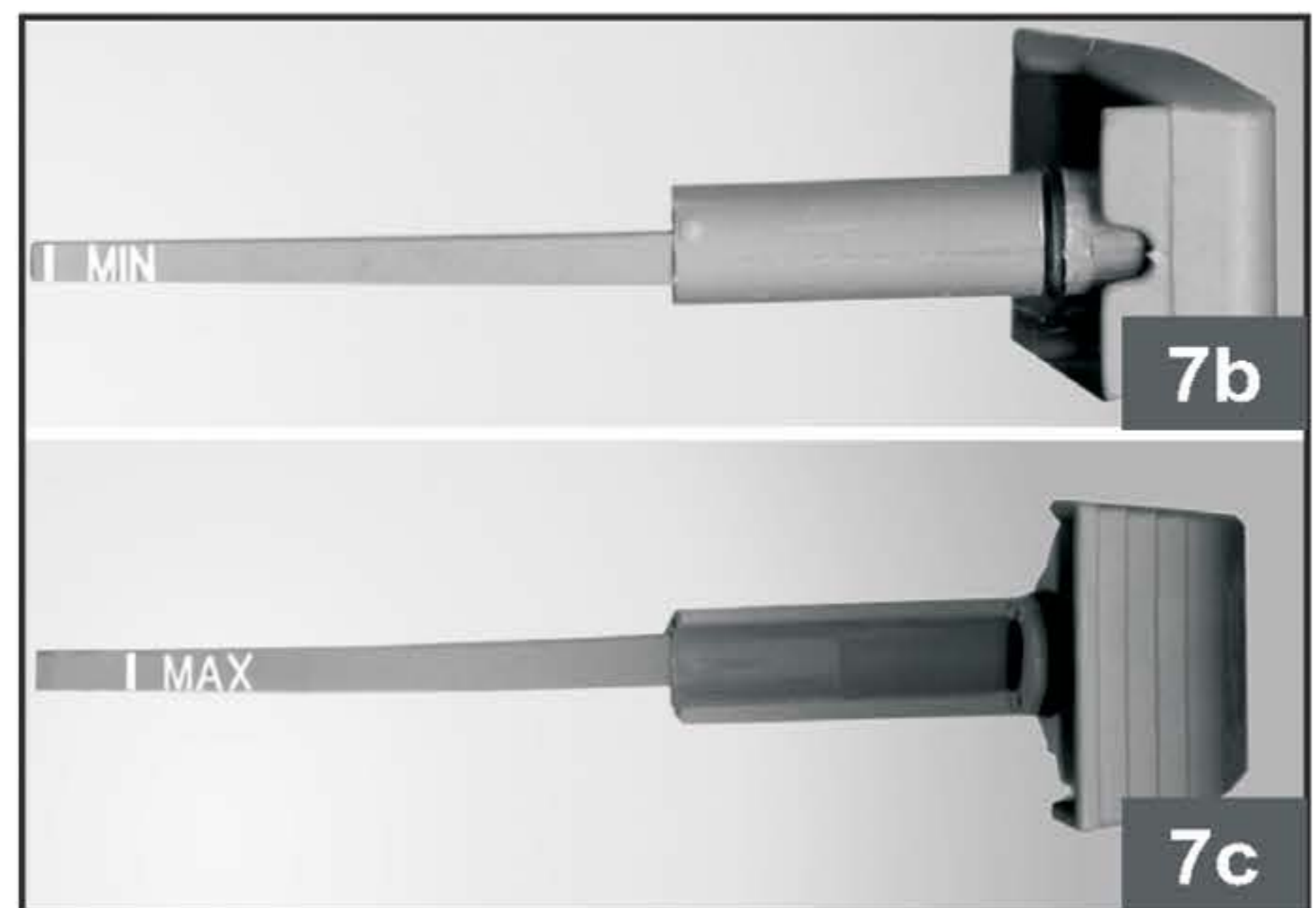
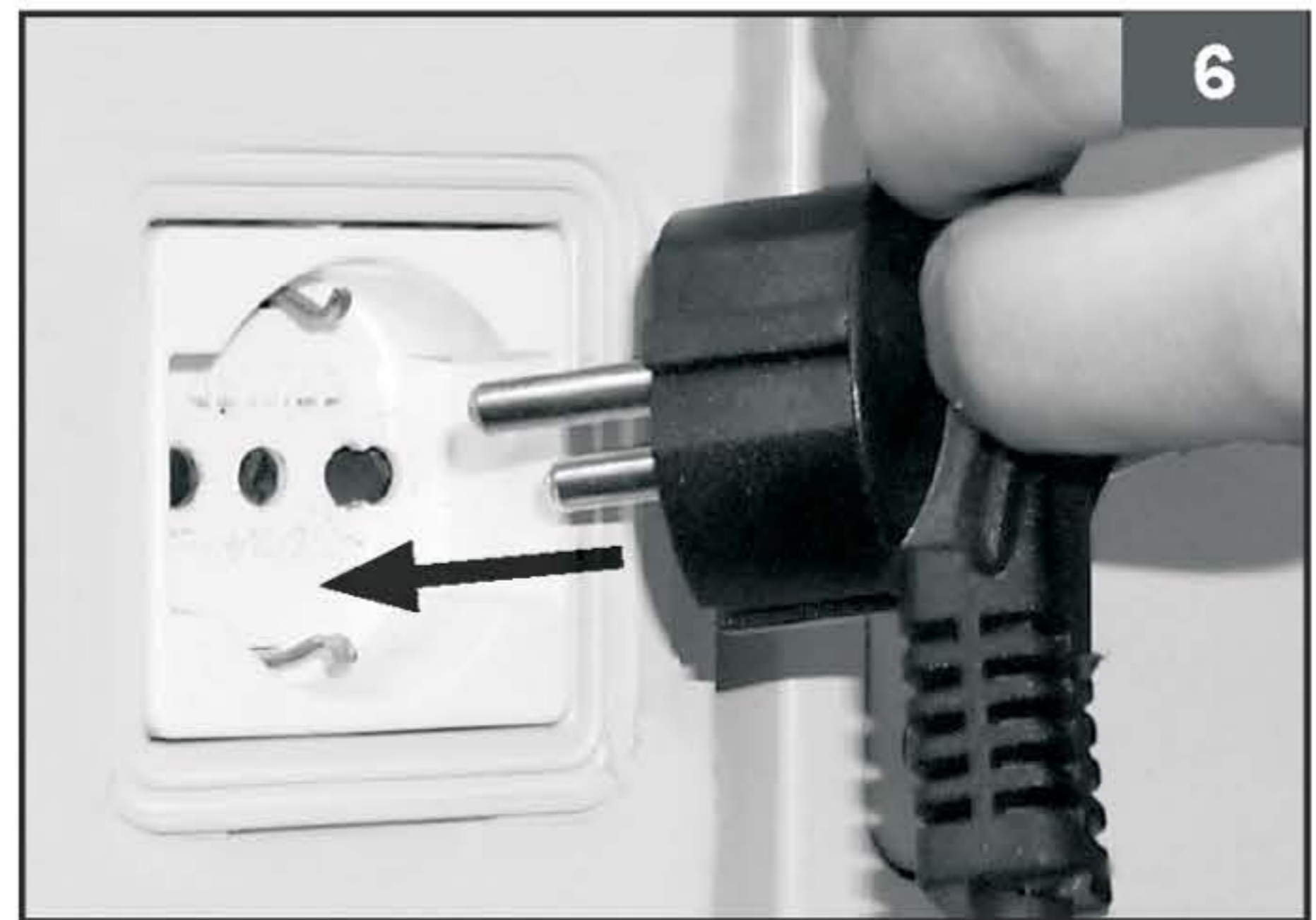
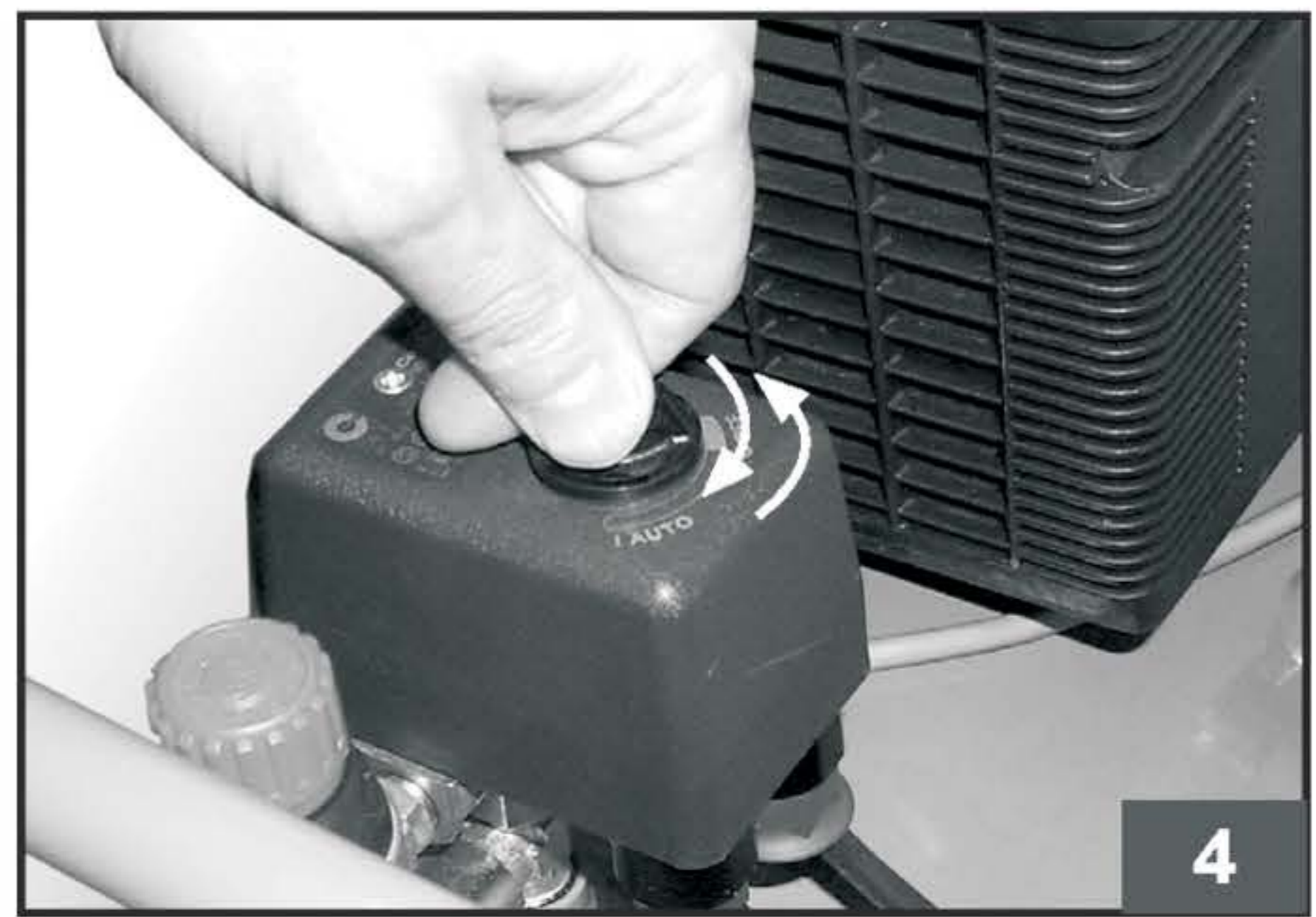
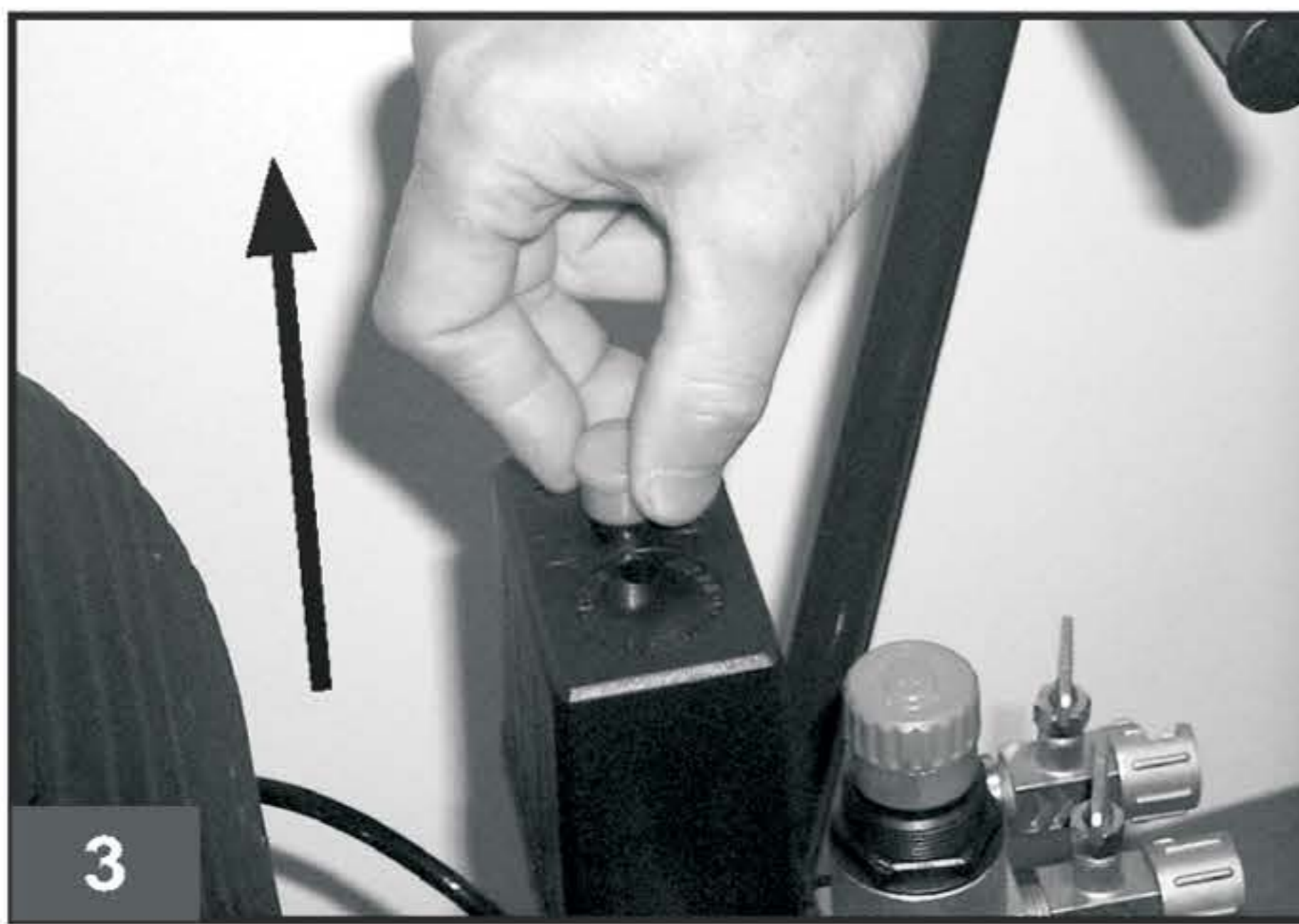
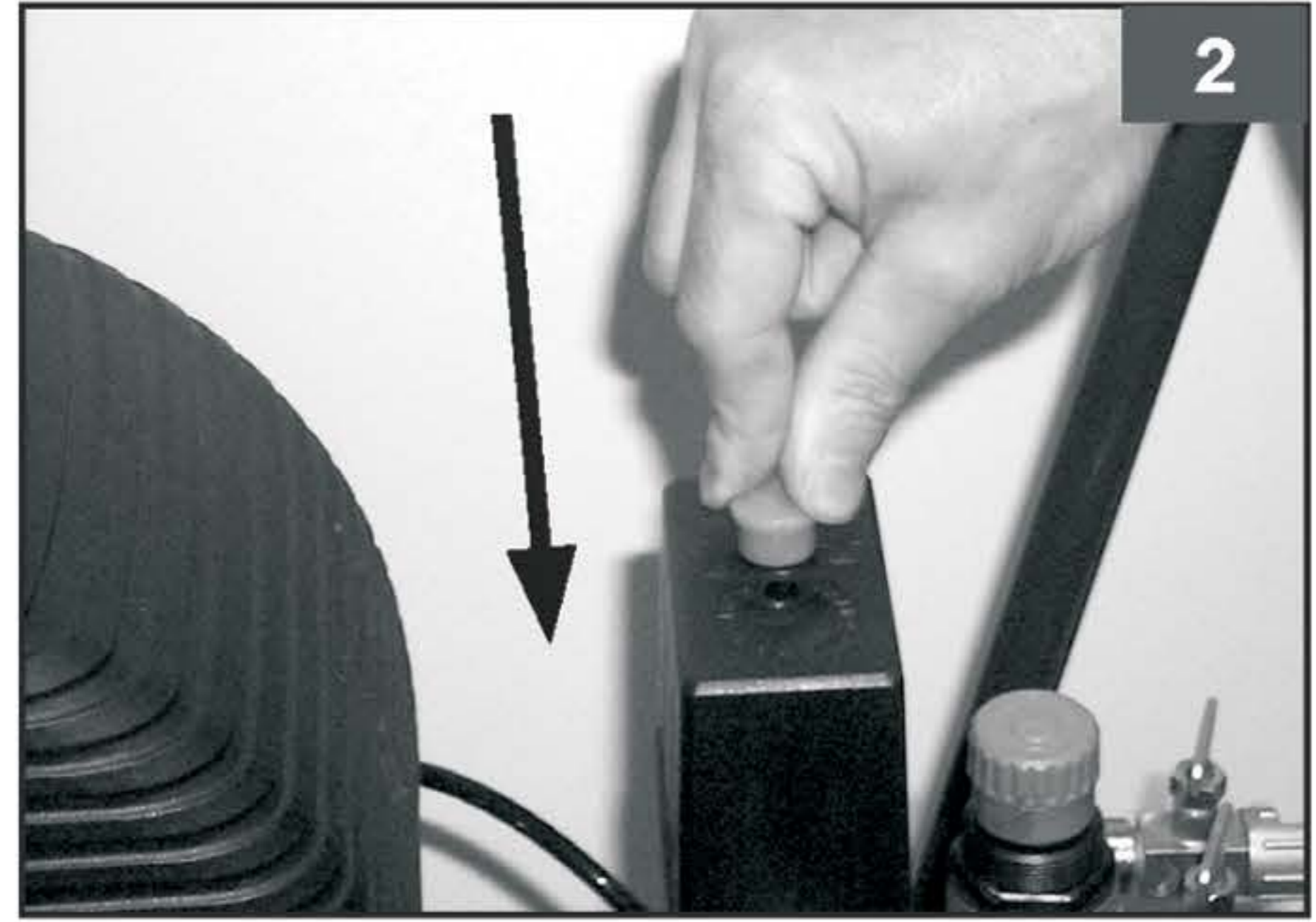
Voltage and frequency
Напряжение и частота

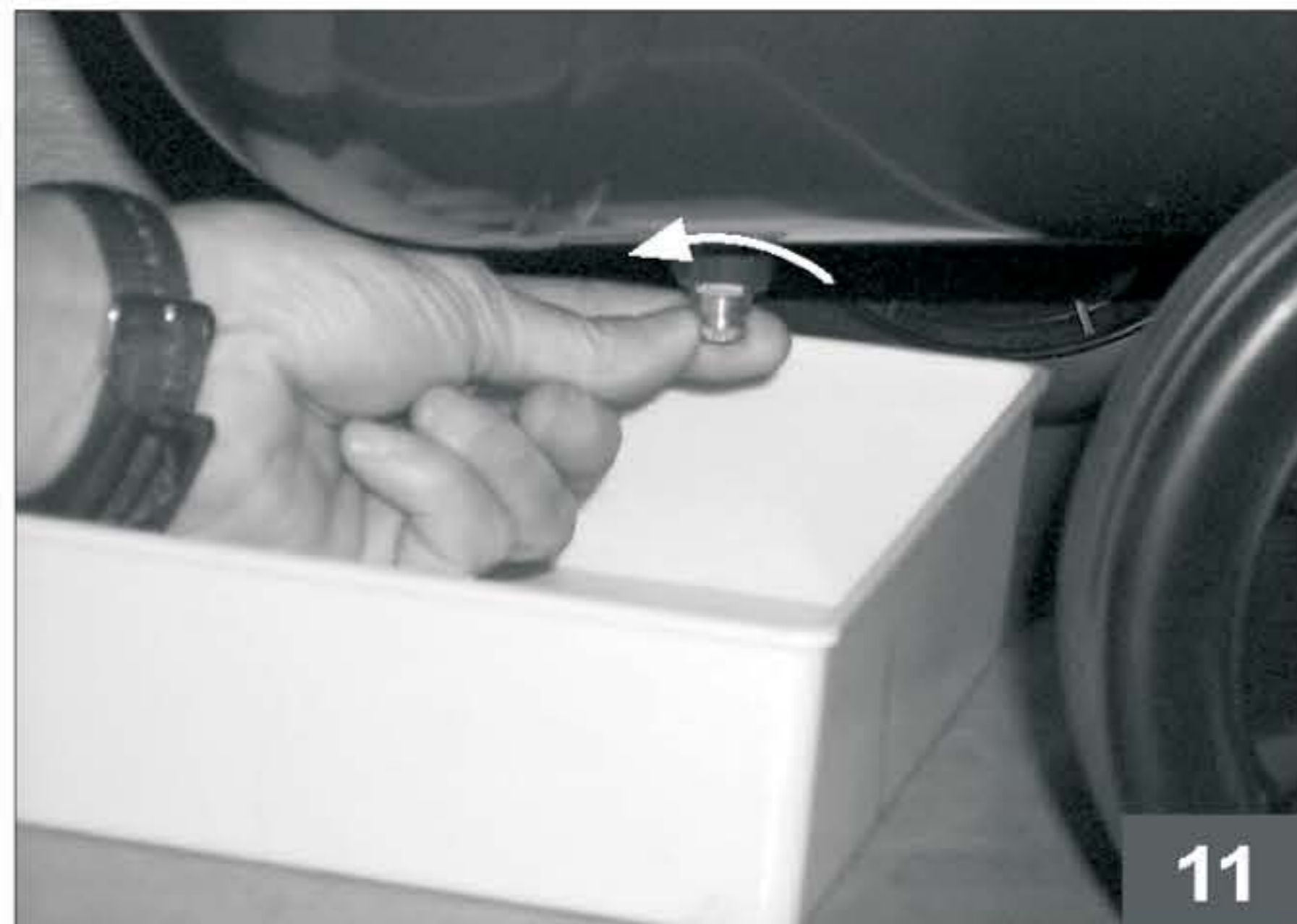
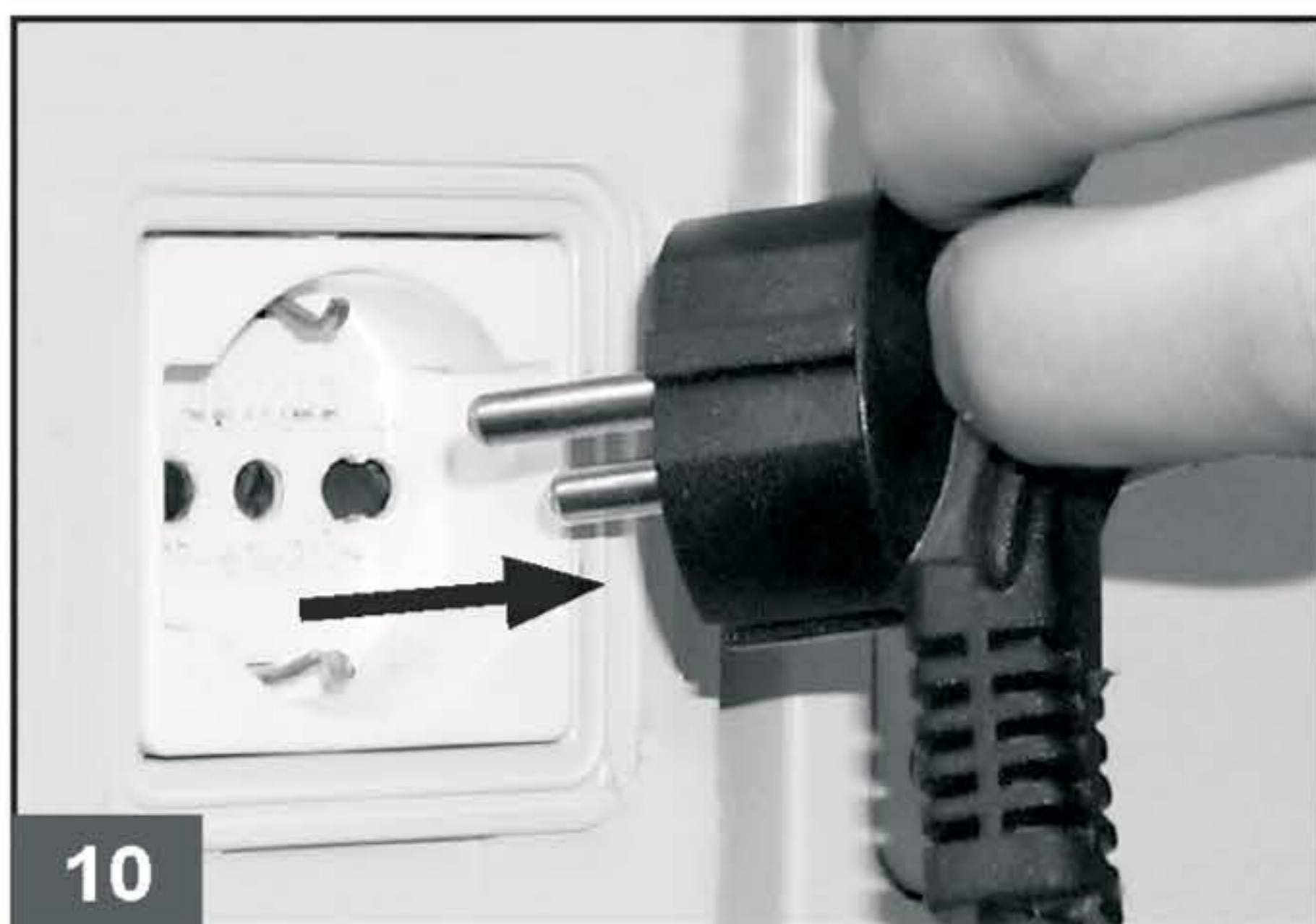
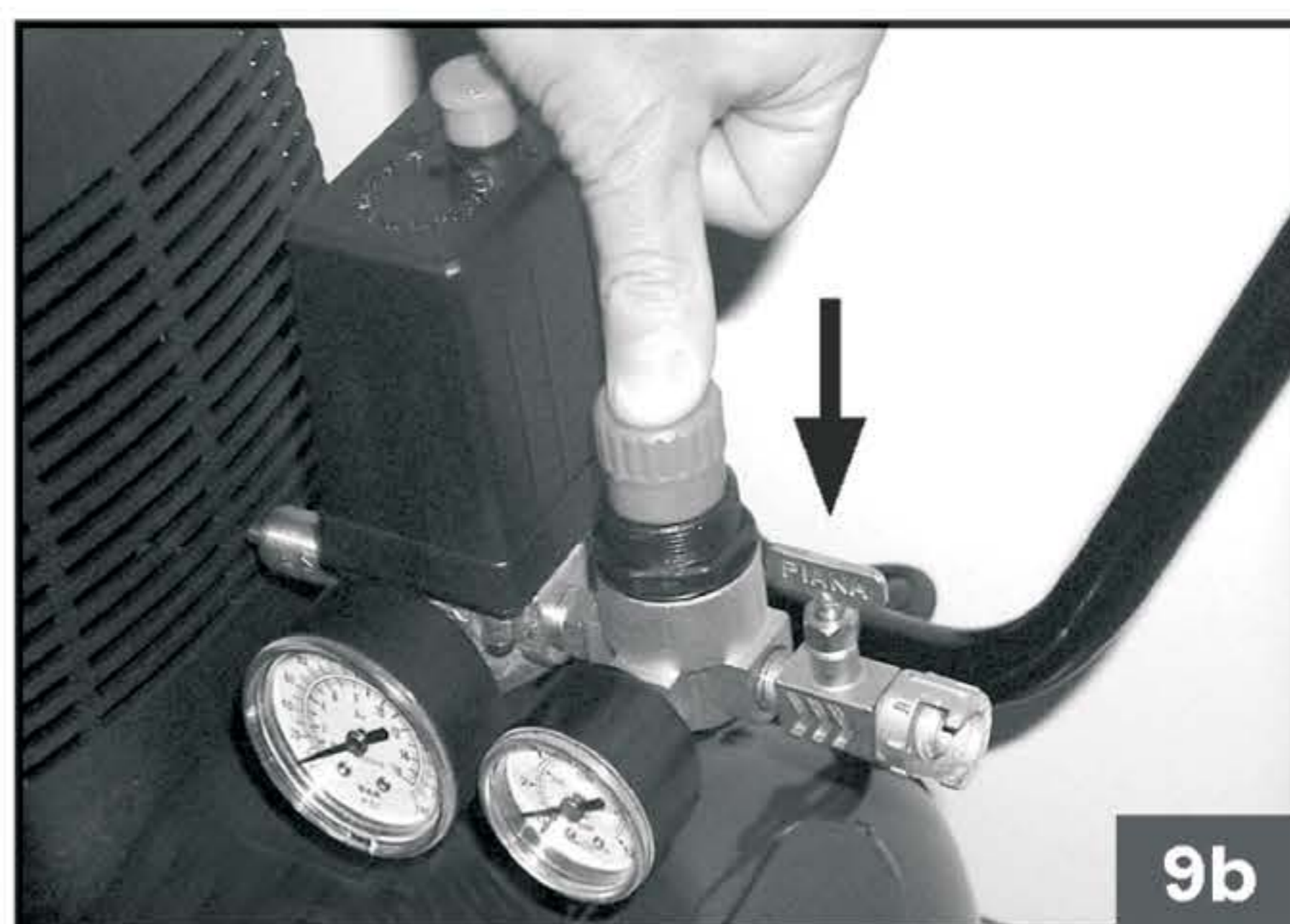
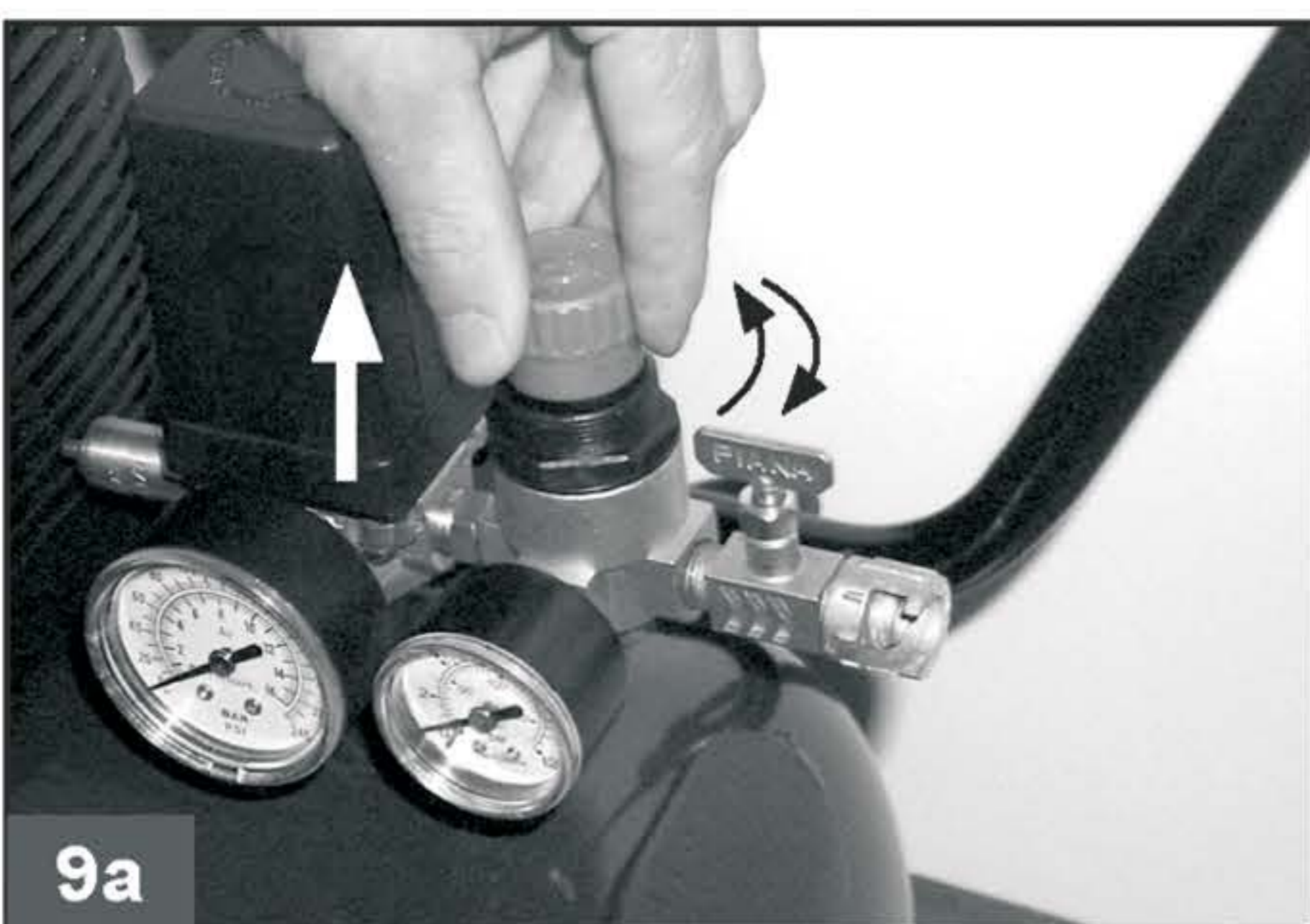


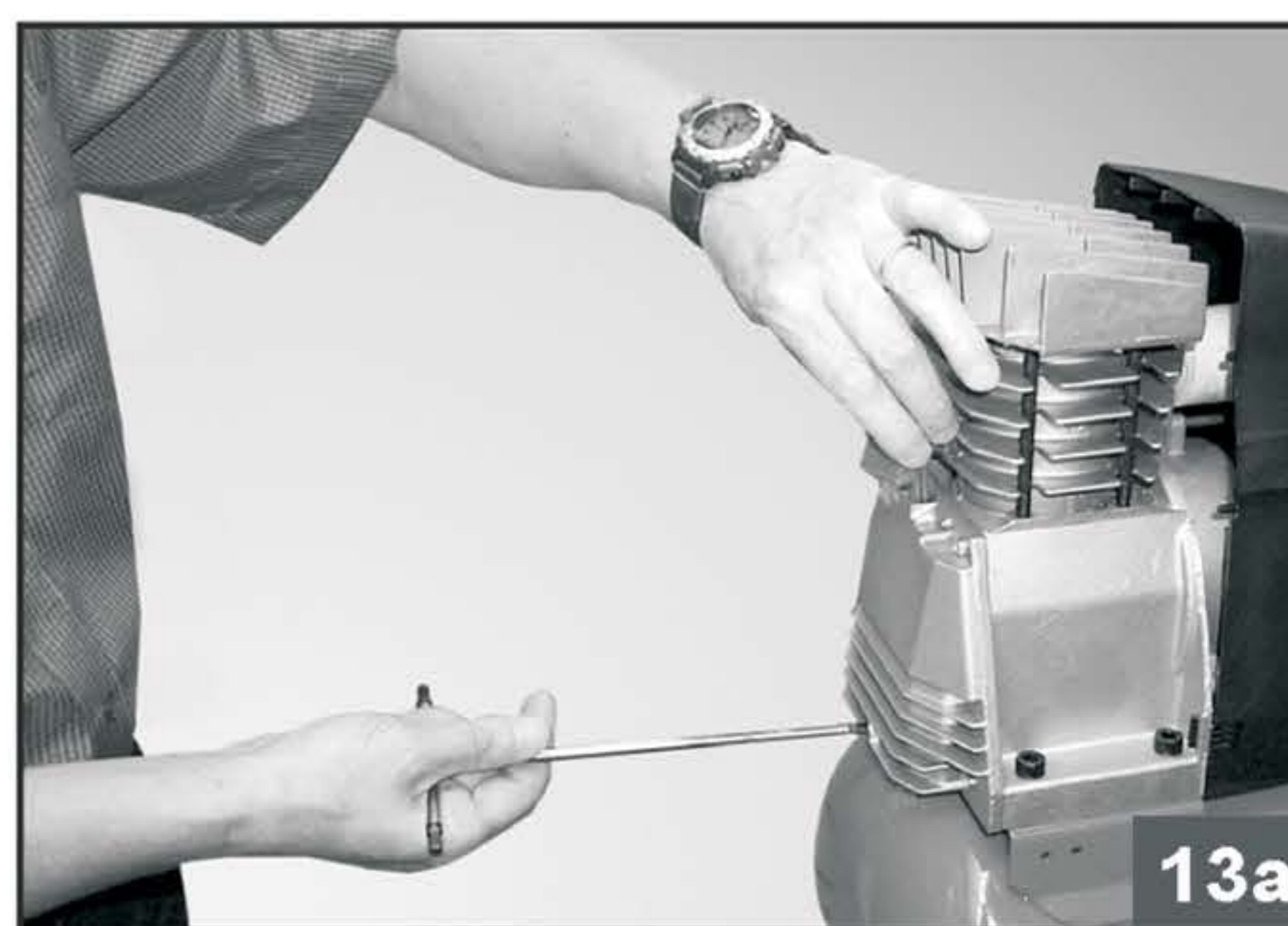
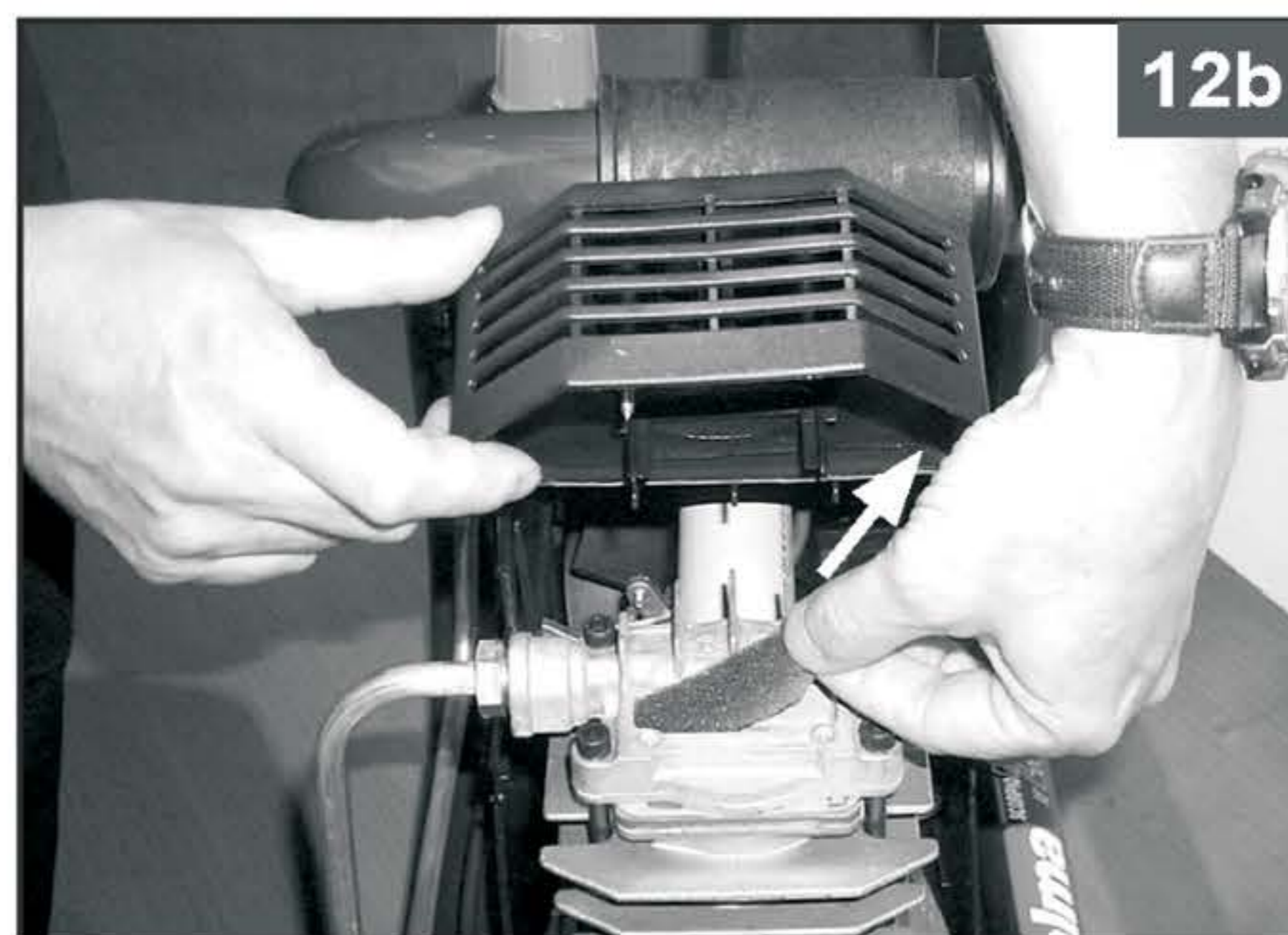
Power
Мощность



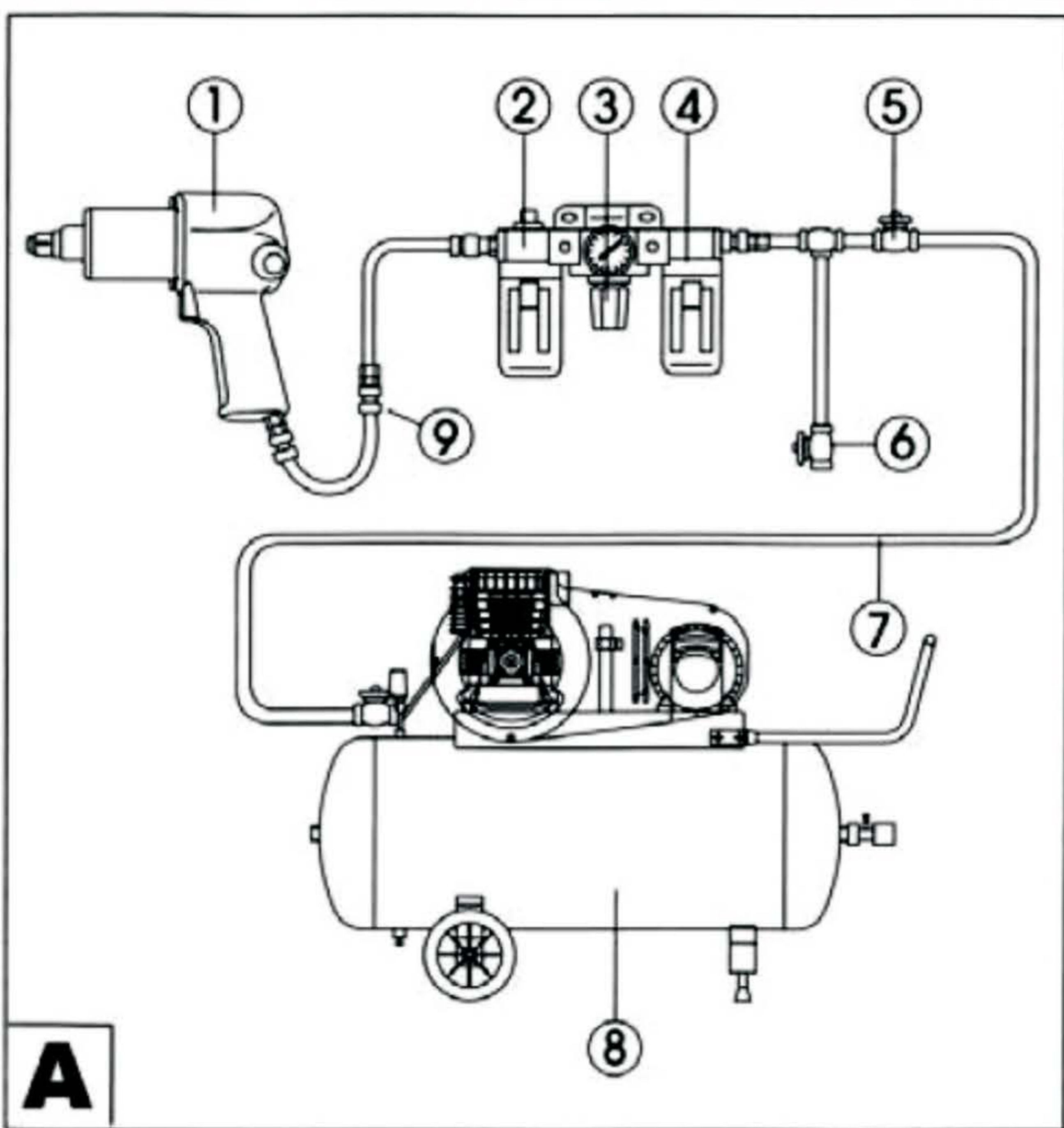
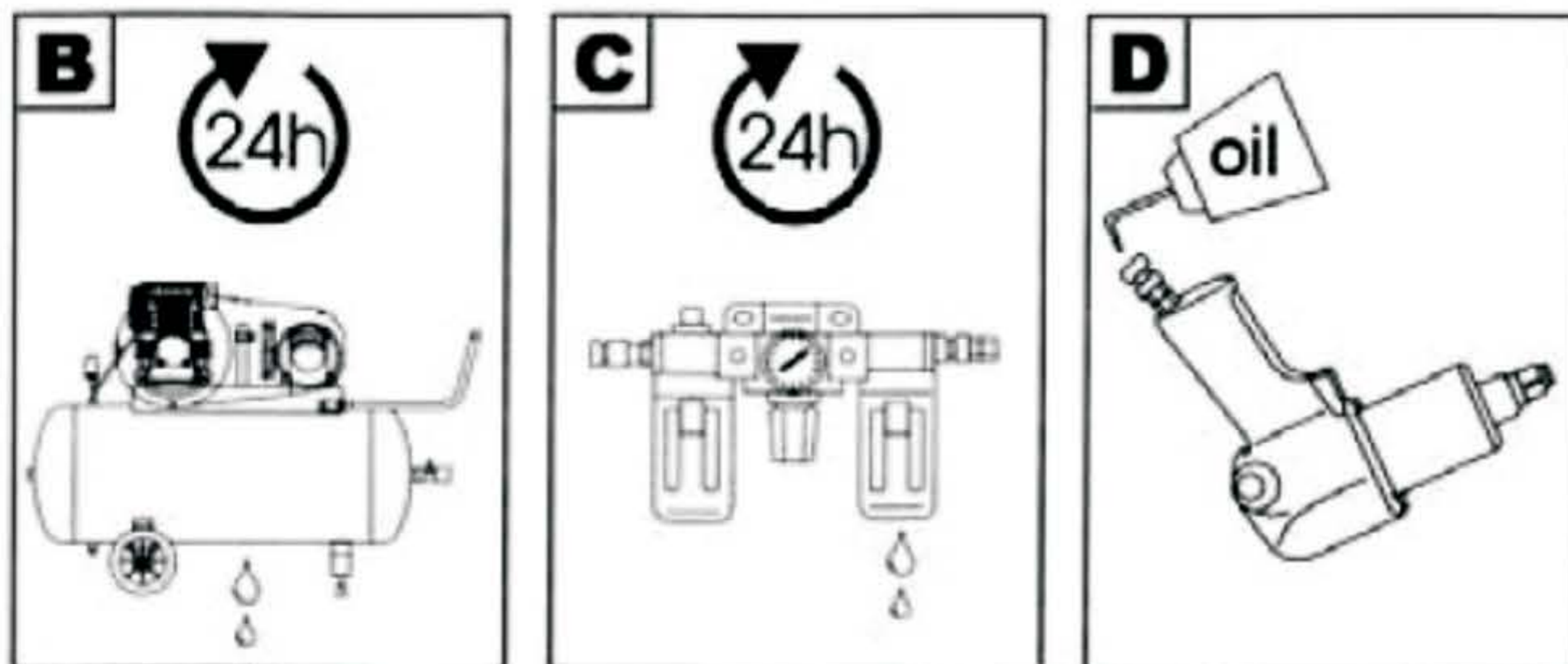
Weight
Масса







15



- 1-pneumatic tool
- 2-compressed air oil dispenser
- 3-pressure reducer
- 4-water separator filter
- 5-on-off valve
- 6-pressure relief valve
- 7-compressed air hose
- 8-compressor
- 9-quick-disconnect coupling

- 1 - пневмоинструмент
- 2 - емкость с маслом
- 3 - регулятор давления
- 4 - фильтр отделения влаги
- 5 - клапан
- 6 - клапан сброса давления
- 7 - трубопровод сжатого воздуха
- 8 - компрессор
- 9 - подсоединение шланга



WARNING! BEFORE USING THE COMPRESSOR READ THE INSTRUCTION MANUAL CAREFULLY! FOR QUALIFIED AND SPECIALLY TRAINED PERSONS ONLY AFTER PROPER READING OF THIS MANUAL IS ALLOWED TO USE AND TO MAINTAIN THIS COMPRESSOR.

The detailed description, safety rules and all required information necessary for proper operation and maintenance of FUBAG compressor are provided below. Keep this instruction manual by machine and refer to it by any doubts concerning safety operation, maintenance storage and handling of FUBAG compressor.

1. Safety operation

- The compressor must be used in a suitable environment (well ventilated with an ambient temperature of between +5°C and +40°C) and never in places affected by dust, acids, vapors, explosive or flammable gases.
- Always maintain a safety distance of at least 3 meters between the compressor and the work area.
- Any coloring of the guards of the compressor during painting operations indicates that the distance is too short.
- Insert the plug of the electric cable in a socket of suitable shape, voltage and frequency complying with current regulations.
- Use extension cables with a maximum length of 5 meters and of suitable cross-section.
- The use of extension cables of different length and also of adapters and multiple sockets should be avoided.
- Always use the switch of the pressure switch to switch off the compressor or use the switch of the electric panel for models equipped with this. Never switch off the compressor by pulling out the plug in order to avoid restart with pressure in the head.
- Always use the handle to move the compressor.
- When operating, the compressor must be placed on a stable, horizontal surface to guarantee correct lubrication.
- Position the compressor at least 50 cm from the wall to permit optimal circulation of fresh air and to guarantee correct cooling.



The acoustic pressure's value measured at 4 m in free field corresponds to the acoustic power's value stated on the yellow label located on the compressor, minus 20 dB.

Not to do:

- Never direct the jet of air towards persons, animals or your body. (Always wear safety goggles to protect your eyes from flying objects that may be lifted by the jet).
- Never direct the jet of liquids sprayed by tools connected to the compressor towards the compressor.
- Never use the appliance in your bare feet or with wet hands or feet.
- Never pull the power cable to pull the plug out of the socket or to move the compressor.
- Never leave the appliance exposed to adverse weather conditions (rain, sun, fog, snow).
- Never transport the compressor with the reservoir pressurized
- Never weld or machine the reservoir. In the case of faults or corrosion, replace it completely.
- Never allow inexperienced persons to use the compressor. Keep children and animals away from the work area.
- Never position flammable or nylon or fabric articles close to and/or on the compressor.
- Never clean the compressor with flammable liquids or solvents. Clean with a damp cloth only, after making sure that you have unplugged the compressor.
- The compressor is designed only to compress air and must not be used for any other type of gas.
- The compressed air produced by the compressor cannot not be used for pharmaceutical, food or hospital purposes except after particular treatments. It is not suitable for filling the air bottles of scuba divers.

Caution:

- To avoid overheating of the electric motor, this compressor is designed for intermittent operation as indicated on the dataplate (forexample, S3-25 means 2,5 minutes ON and 7,5 minutes OFF). In the case of overheating, the thermal cutout of the motor trips, automatically cutting off the power when the temperature is too high due to excess current takeoff.
- To facilitate machine restart, it is important not only to carry out the operations indicated but also to set the button of the pressure switch, returning this to the OFF position and then ON again (fig. 2-3-4).
- Are fitted with a pressure switch equipped with a delayed closing air vent valve (or with a valve located on the check valve) that facilitates motor start-up; therefore a few-second jet of air from this, with the reservoir empty, is to be considered normal.
- To guarantee machine safety, all the compressors are fitted with a safety valve that is activated in the case of failure of the pressure switch.
- When connecting an air-powered tool to a hose of compressed air supplied by the compressor, interruption of the flow of air from the hose is compulsory.
- Use of the compressed air for the various purposes envisaged (inflation, air-powered tools, painting, washing with water-based detergents only, etc.) requires knowledge of and compliance with the rules established for each individual use.

Caution:

- Carefully read these instructions before using the equipment and refer to this manual in case of doubts on its operation. Store all the documentation in place that can be handy for any user.
- The employer undertakes to make sure users read and understand the entire manual before using the tool; however, during installation and use of the equipment, the operator should use all of his experience and knowledge in order to avoid damages, observe safety requirements and law regulations.
- Protecting your ears when using the equipment is mandatory, since a long exposure to noise sources can cause serious sight and breathing damages, to protect yourself from any foreign body moved by the air stream.
- Wear safety gloves if necessary.
- Wear safety gear and shoes suitable to the job to be performed. Do not wear loose clothes or with moving parts which can get clogged in the pneumatic tools moving parts.
- Tie back long hair.
- Since this manual refers to international standards, we recommend to previously obtain information on local safety regulations and to make sure they are observed.
- Compressed air is a potentially powerful power source, therefore use extreme caution when using the compressor or the accessory kit.
- Using compressed air requires knowing and observing any applicable regulation.
- Do not allow unattended use by non – experienced staff. Keep children and animals out of the work area.
- Do not use tools in environments with danger of explosion.

2. Technical specifications

	KIT MODEL						
	oilfree					lubricated	
	Wood	Paint	House	Service	Garden	Air	Hobby
Power, kW	1,1	1,1	1,1	1,1	1,1	1,5	1,8
Tank, l	6	6	24	6	24	24	50
Pressure, bar	8	8	8	8	8	8	8
Air displacement, l/min	180	180	180	180	180	222	260
RPM	3400	3400	3400	3400	3400	2850	2850
Volt/Hz	220/50	220/50	220/50	220/50	220/50	220/50	220/50
Size, mm	523x273x570	527x207x525	563x248x570	527x207x525	593x248x570	563x248x570	823x318x700
Weight, kg	12	11	21	12	21	26	37

The manufacturer reserves himself the right to make the manual's content or function change without any preliminary notification of the users.

3. Accessories kit

ACCESSORIES	KIT MODEL						
	WOOD	PAINT	HOUSE	HOBBY	AIR	SERVICE	GARDEN
Spray gun		•	•	•	•		
Spray nozzle					•		•
Air dusting gun					•	•	
Inflating gun			•	•	•	•	•
Air/water washing gun				•	•	•	•
Air dusting gun with variable air flow		•					
Impact wrench with sockets				•			
Nailer	•						•
Nails	• •						• •
Spiral hose	•		•	•	•	•	•
Hose		•					
Inflating kit			•	•	•	•	
Nozzle for spray gun			•	•	•	•	
Garden shears							•
Lubrikator							•

4. Start-up and use

- Fit the wheels and foot (or the caster wheel for models that are fitted with this) according to the instructions provided in the packaging. For versions with fixed feet, assemble the front bracket kit or the vibration-dampers if furnished. Check that the rating data match the effective characteristics of the system (voltage and power).
- Check for correspondence between the compressor plate data with the actual specifications of the electrical system. A variation of $\pm 10\%$ with respect of the rated value is allowed.
- Insert the power plug in a suitable socket checking that the button of the pressure switch located on the compressor is in the "O" (OFF) position (fig.6).
- Lubricated models: check the oil level using the rod included in the oil fuel plug (fig. 7a-7b-7c) or the sight glass (fig. 7d), and if necessary top up.
- At this point, the compressor is ready for use.
- Operating on the switch of the pressure switch (fig. 3), the compressor starts, pumping air in the reservoir through the delivery hose.

- The absence of pressure in the head facilitates subsequent restart. When air is used, the compressor restarts automatically when the lower calibration value is reached (approx. 2 bar between upper and lower). The pressure inside the reservoir can be checked on the gauge provided (fig. 8).
- The compressor continues to operate automatically with this work cycle until the position of the switch of the pressure switch is modified. To use the compressor again, wait at least 10 seconds after this has been switched off before restarting.
- Air pressure can be regulated in order to optimize use of air-powered tools operating on the knob with the valve open (pulling it up and turning it in a clockwise direction to increase pressure and counterclockwise to reduce this) (fig. 9a-9b-9c-9d). Once you have set the value required, push the knob down to lock it.
- Please check that the air consumption and the maximum working pressure of the pneumatic tool to be used are compatible with the pressure set on the pressure regulator and with the amount of air supplied by the compressor.
- When you have finished working, stop the machine, pull out the plug and empty the reservoir (fig. 10-11).

5. Tool operation and connection

- The tool should be connected only to an air supply system including components specified in fig. A, except for spray guns which should be connected to a lubricator.
- Provide for clean and dry compressed air, with a suitable oil mixture. Use the correct air treatment unit: filter, pressure regulator and lubricator. The lubricator should apply 3 to 6 oil drops per minute. Make sure spray guns are supplied with clean, dry and filtered compressed air.
- Hose maximum length between lubricator and tool should not exceed 10 meters.
- Quick-disconnect coupling (fig. 15A) and the hose air flow should have sufficient capacity. We recommend an air hose with an inner diameter of 10 mm.
- Exclusively use genuine hoses, accessories and tools.
- In order to guarantee a good operation of the tool, the compressed air maximum pressure should not exceed 6 bar (unless otherwise specified). Greater pressure may result in damages or toll excessive wear and therefore are not recommended. Low working pressure may cause tool power decreasing or discontinuance.
- To select the pressure to be used for each tool, refer to the specific user's manual or to the instruction on the packaging.
- Pneumatic hammers are not suitable for the demolition of reinforced concrete.

Before connecting accessories make sure the compressor is shut down.

- Before operating the equipment, put some oil drops in the air inlet opening of the pneumatic tool (see fig. 15D).
- Assemble any accessory and connection on the tool.
- Connect air hose to the tool.

6. Maintenance

- The service life of the machine depends on maintenance quality.
- BEFORE CARRYING OUT ANY OPERATION, ALWAYS PULL OUT THE PLUG AND DRAIN THE RECEIVER COMPLETELY (fig. 10-11)
- Tighten the tie-bolts of the head at start-up and after the first hour of work (torque 10 Nm = 1.02 Kgm).
- After loosening any safety screws (fig. 12a), clean the intake filter according to the type of working environment and at least every 100 hours (fig. 12b-12c). If necessary, replace the filter element (clogging of the filter reduces compressor performance and an inefficient filter causes increased wear).
- In lubricated models replace the oil after the first 100 hours of operation and every 300 hours subsequently (fig. 13a-13b-13c). Remember to check the oil level at regular intervals.
- Periodically (or after working with the compressor for more than an hour), drain the condensate that forms inside the receiver (fig. 11) and filter (fig/ 15C). This protects the receiver from corrosion and does not restrict its capacity.
- Regularly clean and dry the filter (fig. 15A, 4) and the pneumatic tool air inlet opening.
- Should the pneumatic tool not be used for an extended period of time, it is recommended to store it in a clean and dry place, to remove any residual and to lubricate it.

TABLE 1 – MAINTENANCE			
FUNCTION	AFTER THE FIRST 100 HOURS	EVERY 100 HOURS	EVERY 300 HOURS
Cleaning of intake filter and/ or substitution of filtering element		•	
Change of oil*	•		•
Tightening of head tension rods	The check must be carried out prior to the first compressor starting.		
Draining tank condensate	Periodically and at the end of work		

* only lubricated models - Air Master Kit, Hobby Master Kit.

7. Troubleshooting

Request the assistance of a qualified electrician for operations on electric components (cables, motor, pressure switch, electric panel, etc).

FAULT	CAUSE	REMEDY
Leakage of air from the valve of the pressure switch with the compressor off.	Check valve that, due to wear or dirt on the seal, does not perform its function correctly.	Unscrew the hexagonal head of the check valve, clean the valve seat and the special rubber disk (replace if worn). Reassemble and tighten carefully (figures 14a-14b).
Reduction of performance. Frequent start-up. Low pressure values.	Excessive performance request, check for any leaks from the couplings and/or pipes. Intake filter may be clogged.	Replace the seals of the fitting, clean or replace the filter.
The compressor stops and restarts automatically after a few minutes.	Tripping of the thermal cutout due to overheating of the motor.	Clean the air ducts in the conveyor. Ventilate the work area. Reset the thermal cutout. On lubricated check oil level and quality.
After a few attempts to restart, the compressor.	Tripping of the thermal cutout due to overheating of the motor.	Activate the on/off switch. Ventilate the work area. Wait a few minutes. The compressor will restart independently. Remove any power cable extensions.
The compressor does not stop and the safety valve is tripped.	Irregular functioning of the compressor or breakage of the pressure switch.	Remove the plug and contact the Service Center.
Immediately shut down the equipment in case you hear unusual noises.	Worn tool/accessory, not suitable for use or faulted.	Remove the plug and contact the Service Center.
Air tool no function, or if a sudden power drop occurs.	Tool/accessory faulted. Compressor pressure is insufficient.	There is a leak from the connection hose or from the connections (use Teflon tape or sealant paste). Leaks in the pneumatic system. Filter or lubricator clogged. Hose is crushed, pierced or too long (loss of pressure).

Any other type of operation must be carried out by authorized Service Centers, requesting original parts. Tampering with the machine may impair its safety and in any case make the warranty null and void.

8. Warranty

Warranty refer to defects of materials and components and do not refer to components subject to natural wear and maintenance work.

Only machines cleaned from dust and dirt in original factory packing fully completed, provided with instruction manual, warranty card with fixed sales date with a shop stamp factory serial number and originals of sales and ware receipt issued by salesman are subjects of warranty. Within the warranty period the service center eliminate free of charge all detected production defects. The manufacturer disclaims warranty and legal responsibilities if nonobservance of the instruction manual by user, unqualified disassembling repair or maintenance of the machine as well does not bear responsibility for caused injury to persons or damages.

**ВНИМАНИЕ! ПЕРЕД ИСПОЛЬЗОВАНИЕМ КОМПРЕССОРА ВНИМАТЕЛЬНО ОЗНАКОМЬТЕСЬ С ДАННОЙ ИНСТРУКЦИЕЙ.**

К использованию и обслуживанию компрессора допускается только квалифицированный и специально обученный персонал, ознакомленный с данной инструкцией.

В этой инструкции содержится описание, правила безопасности и вся необходимая информация для правильной эксплуатации компрессора FUBAG. Сохраняйте данную инструкцию и обращайтесь к ней при возникновении вопросов по безопасной эксплуатации, обслуживанию, хранению и транспортировке компрессора FUBAG.

1. Правила безопасности

- Компрессор должен работать в хорошо вентилируемых помещениях, при температуре от +5°C до +40°C. В воздухе не должно содержаться пыли, паров кислот, взрывоопасных или легко воспламеняющихся газов.
- Безопасное расстояние до работающего компрессора - не менее 3 м.
- Если брызги распыляемой при помощи компрессора краски попадают на защитный кожух, значит компрессор стоит слишком близко к месту работы.
- Сетевой разъем для вилки электропровода должен соответствовать ей по форме, напряжению, частоте и соответствовать действующим нормами техники безопасности.
- При использовании удлинителя длина его кабеля не должна превышать 5 м, а его сечение должно соответствовать сечению кабеля компрессора.
- Не рекомендуется использовать удлинители большей длины, многоконтактные штепсели или переходные устройства.
- Всегда выключайте компрессор только при помощи выключателя, расположенного на реле давления. Чтобы после остановки компрессор не запускался с высоким давлением в головной части, не никогда не выключайте его, просто вынимая вилку из сети.
- Перемещая компрессор, тяните его только за предназначенную для этого скобу.
- Устанавливайте работающий компрессор на устойчивой горизонтальной поверхности: это гарантирует правильную работу компрессора.
- Чтобы обеспечить нормальный приток охлаждающего воздуха к работающему компрессору, не устанавливайте его у стены ближе чем на 50 см.



Значение звукового давления, измеренного на расстояние 4 м, эквивалентно значению звуковой мощности, обозначенной на жёлтой этикетке, расположенной на компрессоре, минус 20 dB.

Запрещается:

- Направлять пневмоинструмент или струю сжатого воздуха на людей, животных или на собственное тело. (Чтобы со струей сжатого воздуха в глаза не попали мелкие частицы пыли, надевайте защитные очки).
- Направлять струю сжатого воздуха в сторону самого компрессора.
- Работать без защитной обуви, касаться работающего компрессора мокрыми руками и/или ногами.
- Резко дергать электропровод питания, выключая компрессор из сети, или тянуть за него, пытаясь сдвинуть компрессор с места.
- Оставлять компрессор под воздействием неблагоприятных атмосферных явлений (дождь, прямые солнечные лучи, туман, снег).
- Перевозить компрессор с места на место, не сбросив предварительно давление из ресивера.
- Производить механический ремонт или сварку ресивера. При обнаружении дефектов или признаков коррозии металла необходимо его полностью заменить.
- Допускать к работе с компрессором неквалифицированный или неопытный персонал. Не разрешайте приближаться к компрессору детям и животным. Размещать рядом с компрессором легко воспламеняющиеся предметы или класть на корпус компрессора изделия из нейлона и других легко воспламеняющихся тканей.
- Протирать корпус компрессора легко воспламеняющимися жидкостями. Пользуйтесь исключительно смоченной в воде ветошью. Не забудьте предварительно отключить компрессор от электросети.
- Использовать компрессор для сжатия иного газа, кроме воздуха.
- Данный компрессор разработан только для технических нужд. В больницах, в фармацевтике и для приготовления пищи к компрессору необходимо подсоединять устройство предварительной подготовки воздуха. Нельзя применять компрессор для наполнения аквалангов.

Важно:

- Во избежание чрезмерного перегрева электродвигателя компрессор работает в двухтактном режиме периодического включения, соотношение между продолжительностью работы и выключением указано на табличке с техническими данными (например, S3-25 означает - 2,5 минут работы и 7,5 минут паузы). В случае перегрева срабатывает термозащита, установленная на электродвигателе.
- Для плавности пуска двигателя, кроме указанного выше, переключатель реле давления необходимо перевести сначала в положение «выкл.», а затем снова в положение «вкл.» (рис. 2-3-4).
- Для обеспечения плавного пуска в двигателях предусмотрено реле давления с выпускным воздушным клапаном замедленного действия (или с дополнительным на стопорном клапане). Поэтому при порожнем ресивере выход из воздушного клапана небольшой струи воздуха в течение нескольких секунд является нормальным.
- Для повышения безопасности работы все компрессоры оборудованы предохранительным клапаном, срабатывающим при отказе реле давления.
- Подсоединяя к шлангу компрессора пневмоинструмент, не забывайте перекрывать воздушный кран.
- При использовании сжатого воздуха (надувание, распыление через пневмоинструмент, окраска, мойка растворами на водной основе и т.п.) соблюдайте все правила техники безопасности для каждого конкретного случая.

Важно:

Включайте подачу сжатого воздуха только после подсоединения инструмента.

- Для получения максимальной производительности используйте соответствующие шланги и соединения.
- Перед включением инструмента проверьте плотность всех соединений и состояние шлангов.
- Отсоединяйте подачу сжатого воздуха для разгрузки остаточного давления по окончании работы, перед проведением ремонта или перед сменой аксессуаров.
- Отсоединяйте инструмент только после сброса давления сжатого воздуха.
- Поддерживайте пневматический инструмент в чистоте и сухости.
- Работайте инструментом только в устойчивом положении.
- Закрепите обрабатываемую поверхность или деталь с помощью крепежа или зажима.
- Используйте инструмент только по его назначению. Производитель снимает с себя всякую ответственность в случае ущерба, причиненного человеку или материальному имуществу, в случае несоблюдения правил безопасности или использования инструмента не по назначению.
- Некоторые пневматические инструменты вызывают сильную вибрацию. Поэтому продолжительное использование, и ошибочное положение тела оператора, могут причинить ущерб рукам, пальцам и суставам. Необходимо сразу же прекратить работу инструмента если Вы чувствуете какую-либо боль, онемение или другие недомогания. В случае проявления симптомов и после прекращения работы необходимо незамедлительно обратиться к врачу.

2. Технические характеристики

	МОДЕЛЬ НАБОРА						
	безмасляные					масляные	
	Wood	Paint	House	Service	Garden	Air	Hobby
Мощность, кВт	1,1	1,1	1,1	1,1	1,1	1,5	1,8
Объем ресивера, л	6	6	24	6	24	24	50
Давление, бар	8	8	8	8	8	8	8
Производительность, л/мин	180	180	180	180	180	222	260
Оборотов в минуту, об/мин	3400	3400	3400	3400	3400	2850	2850
Напряжение, В/Гц	220/50	220/50	220/50	220/50	220/50	220/50	220/50
Габариты, мм	523x273x570	527x207x525	563x248x570	527x207x525	593x248x570	563x248x570	823x318x700
Вес, кг	12	11	21	12	21	26	37

Производитель имеет право вносить изменения как в содержание данной инструкции, так и в конструкцию аппарата без предварительного уведомления пользователей.

3. Комплектация

АКСЕССУАРЫ	МОДЕЛЬ НАБОРА						
	WOOD	PAINT	HOUSE	HOBBY	AIR	SERVICE	GARDEN
Краскораспылитель		•	•	•	•		
Пневмопистолет для вязких жидкостей					•		•
Пневмопистолет для продувки					•	•	
Пистолет для накачки шин с манометром			•	•	•	•	•
Пневмопистолет для продувки/мойки				•	•	•	•
Пистолет для продувки с рег. потока		•					
Пневногайковёрт с насадками				•			
Гвоздезабивной пистолет	•						•
Набор гвоздей для пневмопистолета	• •						• •
Спиральный шланг	•		•	•	•	•	•
Резиновый шланг		•					
Комплект из наконечников			•	•	•	•	
Насадка для продувки			•	•	•	•	
Пневмосекатор							•
Лубрикатор							•

4. Пуск и эксплуатация

- Установите колеса и ножку (в некоторых моделях шарнирно закрепленные) следуя инструкции. Если компрессор снабжен неподвижными или виброустойчивыми ножками, установите переднюю скобу или иной предусмотренный комплект деталей.
- Проверьте, чтобы параметры, указанные на заводской табличке, соответствовали фактическим параметрам электросети; допустимое колебание напряжения составляет $\pm 10\%$ от номинального значения.
- Вставить вилку питающего кабеля в розетку (рис. 6); переключатель реле давления при этом должен находиться в положении «О» (ВЫКЛ).
- В масляных компрессорах: по контрольному глазку (рис. 7d) или с помощью щупа (рис. 7a-7b-7c) проверьте уровень масла, при необходимости отвинтите крышку маслоналивного отверстия и долейте масла.
- Теперь компрессор готов к работе.
- При переводе выключателя реле давления в положение «Пуск» (рис. 3) компрессор начинает работать, подавая воздух через нагнетательный патрубок в ресивер.
- После того, как достигнуто максимальное рабочее давление (задается производителем в ходе испытаний), компрессор останавливается, излишек воздуха в головке и в напорном патрубке спускается через клапан сброса под реле давления. Этим снимается избыточное давление в головной части компрессора, и нагрузка на двигатель при последующем пуске снижается. По мере расходования воздуха давление в ресивере падает и как только достигнет нижнего предела (разница между верхним и нижним уровнем составляет 2 бара), электродвигатель автоматически вновь включается в работу. Фактическое давление в ресивере показывается на манометре, входящем в комплект поставки (рис. 8).
- В автоматическом режиме попеременного пуска и паузы компрессор работает до тех пор, пока выключатель реле давления не будет выключено.
- Если необходимо сразу же после этого снова включить компрессор, то перед повторным включением следует выждать, по крайней мере, 10 секунд.

- При работе давление можно регулировать поворачивая ручку редукционного клапана при открытом кране: поднять вверх и повернуть по часовой стрелке для повышения давления и против - для его уменьшения (рис. 9a). Получив оптимальное для работы давление, заблокируйте клапан в нужном положении, снова опустив его ручку вниз (рис. 9b). В некоторых моделях для блокировки следует вращать стопорное кольцо, под регулировочной ручкой до ее полной блокировки (Рис. 9c-9d).
- Необходимо проверить, чтобы расход воздуха и максимальное эксплуатационное давление пневматического инструмента были совместимы с давлением, установленным на регуляторе давления, и с количеством воздуха, подаваемого компрессором.
- По окончании работы выключите компрессор, отключите его от сети питания и сбросьте давление из ресивера (рис. 10-11).

5. Подключение и эксплуатация пневмоинструмента

- Инструмент должен подсоединяться только к системе подачи сжатого воздуха, состоящей из компонентов, указанных на схеме рис. 15А, кроме аэрографов, в системе которых не должно быть емкости с маслом.
- Необходимо чтобы подаваемый сжатый воздух был сухим и чистым, с необходимым количеством масла. Количество масла добавляемого в воздух 3-6 капель в минуту. При использовании аэрографов воздух должен быть чистым, сухим и без масла.
- Максимальная длина шланга от масляной емкости до инструмента не должна превышать 10 метров.
- Шланг подсоединяемый к сети сжатого воздуха должен иметь соответствующее сечение и обеспечивать необходимую производительность подачи сжатого воздуха. Рекомендуется применять шланги диаметром не менее 10 мм.
- Используйте только оригинальные шланги, аксессуары и принадлежности.
- Для того, чтобы гарантировать хорошую работу пневмоинструмента, максимальное давление сжатого воздуха не должно превышать 6 бар (за исключением особо оговоренных случаев). Большое давление может вывести инструмент из строя или привести к быстрому его износу. Низкое давление снижает мощность и производительность инструмента. Рекомендации по точному выбору давления смотрите на упаковке и шильдиках пневмоинструмента.

Перед подсоединением пневматического инструмента к системе подачи воздуха, убедитесь, что компрессор ВЫКЛЮЧЕН.

- Перед подсоединением пневмоинструмента капните в разъем несколько капель масла (Рис.15D).
- Установите на инструмент необходимые принадлежности.
- Подсоедините шланг подачи сжатого воздуха к пневмоинструменту.

6. Техническое обслуживание

- Срок службы компрессора во многом зависит от правильного технического обслуживания.
- ПЕРЕД ВЫПОЛНЕНИЕМ КАКИХ-ЛИБО РАБОТ НА КОМПРЕССОРЕ ВЫНУТЬ ВИЛКУ ИЗ РОЗЕТКИ И ПОЛНОСТЬЮ СТРАВИТЬ ВОЗДУХ ИЗ РЕСИВЕРА (Рис. 10-11).
 - При первом пуске в работу и после первого часа работы подтяните крепежные тяги в головной части компрессора (момент 10 Nm = 1,02 Kgm).
 - После того, как вывернуты винты защитного кожуха (Рис. 12а), очистить всасывающий фильтр. Выполнять эту процедуру следует в зависимости от состояния окружающей среды, но не реже, чем каждые 100 часов работы (Рис. 12b-12с). При необходимости нужно заменить фильтрующий элемент (грязный фильтр снижает КПД, а забитый фильтр способствует большему износу компрессора).
 - В масляных компрессорах необходимо заменить масло после первых 100 часов работы, а затем через каждые 300 часов (Рис. 13а-13b-13с) и периодически нужно проверять уровень масла.
 - Периодически (или по завершении работы, продолжительностью более одного часа) сливать конденсат, накопившийся внутри ресивера (Рис. 11) и фильтра (Рис. 15С). Это предохраняет от коррозии ресивер и не снижает его емкости.
 - Регулярно проверяйте и прочищайте фильтр отделения влаги пневмосистемы (Рис.15 А, 4).
 - Для исключения появления ржавчины и снижения износа пневмоинструмента необходимо очищать и смазывать его после каждого использования.

ТАБЛИЦА 1 – ВРЕМЕННЫЕ ПРОМЕЖУТКИ МЕЖДУ ТЕХНИЧЕСКИМ ОБСЛУЖИВАНИЕМ			
РАБОТЫ	СПУСТЯ ПЕРВЫЕ 100 ЧАСОВ	КАЖДЫЕ 100 ЧАСОВ	КАЖДЫЕ 300 ЧАСОВ
Чистка воздушного фильтра и/или замена фильтрующего элемента		•	
Замена масла*	•		•
Затягивание болтов крышки цилиндра	Контроль необходимо провести перед первым запуском компрессора		
Слив конденсата из ресивера	Периодически в конце работы		

* только в масляных моделях компрессоров - Air Master Kit, Hobby Master Kit .

7. Неисправности и способы их устранения

Неполадки в электрической части (кабели, электродвигатель, реле давления и т.п.) должны устраняться только квалифицированным специалистом.

НЕИСПРАВНОСТЬ	ВОЗМОЖНАЯ ПРИЧИНА	СПОСОБ УСТРАНЕНИЯ
Воздушный клапан реле давления пропускает воздух.	Стопорный клапан износился или загрязнен.	Отвинтить шестигранную головку стопорного клапана, очистить седловину и резиновую прокладку (заменить, если изношена). Привинтить головку и аккуратно затянуть рис. 14a-14b).
Снижение КПД. Частые пуски. Недостаточное давление сжатого воздуха.	Чрезмерная потребление или возможные потери в соединениях или шлангах. Сильное загрязнение входного фильтра.	Уменьшить уровень потребления. Заменить прокладки в соединениях. Очистить или заменить фильтр.
Компрессор выключается и затем, через несколько минут сам включается.	Срабатывание термозащиты из-за перегрева двигателя.	Очистить шланги подачи воздуха. Проветрить помещение. Вернуть реле термозащиты в рабочее состояние. Проверить уровень и качество масла (если компрессор масляный).
Компрессор после нескольких попыток пуска отключается.	Сработала термозащита из-за перегрева двигателя. Пониженное напряжение сети.	Перевести выключатель компрессора в положение пуск. Проветрить помещение. Подождать несколько минут, и компрессор запустится автоматически. Исключить из цепи электропитания все удлинители.
Компрессор не выключается и срабатывает предохранительный клапан.	Неправильная работа компрессора или неисправность реле давления.	Обесточить компрессор и обратиться Сервисный центр.
При работе пневмоинструмента слышатся посторонние шумы или присутствует повышенная вибрация.	Инструмент сильно изношен.	Обратиться в Сервисный центр или заменить пневмоинструмент.
Пневмоинструмент не работает или работает с недостаточной мощностью.	Пневмоинструмент неисправен. Недостаточное давление сжатого воздуха.	Заменить пневмоинструмент. Отрегулировать подачу сжатого воздуха регулятором на компрессоре. Проверить целостность и качество подсоединения шлангов. Устранить перекручивание шлангов или его утечки.

Во всех остальных случаях ремонт компрессора должен производиться в Сервисной службе с использованием оригинальных запасных частей. Самостоятельный ремонт является причиной прекращения действия гарантийных обязательств.

8. Гарантийные обязательства

Гарантийный срок на оборудование указывается в прилагаемом сервисном талоне.

Гарантия относится к дефектам в материалах и узлах и не распространяется на компоненты, подверженные естественному износу и работы по техническому обслуживанию.

Сервисному ремонту подлежат только очищенные от пыли и грязи аппараты в заводской упаковке, полностью укомплектованные, имеющие фирменный технический паспорт, сервисный талон с указанием даты продажи, при наличии штампа магазина, заводского номера и оригиналов товарного и кассового чеков, выданных продавцом.

В течение сервисного срока сервис-центр устраняет за свой счёт выявленные производственные дефекты. Производитель снимает свои обязательства и юридическую ответственность при несоблюдении потребителем инструкций по эксплуатации, самостоятельной разборки, ремонта и технического обслуживания аппарата, а также не несет никакой ответственности за причиненные травмы и нанесенный ущерб.

Горячая линия FUBAG
тел.: (495) 641-31-31

info@fubag.ru
www.fubag.ru

