

Tig 160



Spare parts list

Edition 20120419



Valid for serial no. 01107071340

Ordering no. Product

0700 300 886 Welding power source Buddy™ Tig 160

Spare parts are to be ordered through the nearest ESAB agency. Kindly indicate type of unit, serial number, denominations and ordering numbers according to the spare parts list.

Maintenance and repair work should be performed by an experienced person, and electrical work only by a trained electrician. Use only recommended spare parts.

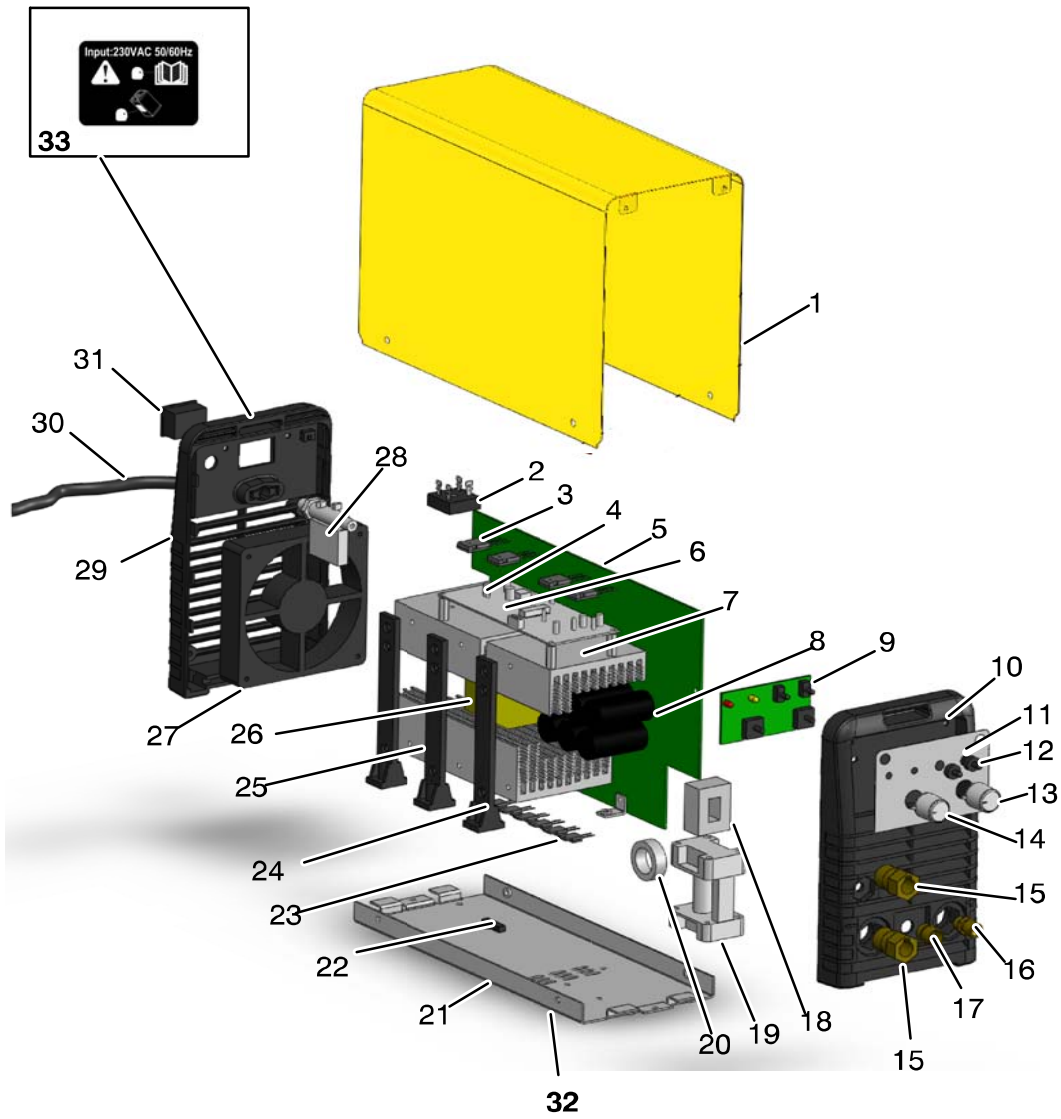
Rights reserved to alter specifications without notice.

Tig 160

C = component designation in the circuit diagram

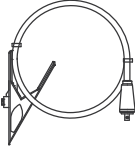
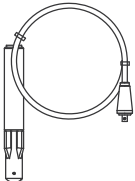

Item	Qty	Ordering no.	Denomination	Notes
1	1	0700 300 045	Machine cover	
2	1	0700 300 004	Rectifier bridge	
3	4	0700 300 006	Transistor (IGBT)	
4	1	0700 300 046	IGBT control PC-board	
5	1	0700 300 089	Main PC-board	
6	1	-	Heat sink 2	
7	1	-	Heat sink 3	
8	1	0700 300 050	Capacitor	
9	1	0700 300 051	Front panel PC-board complete	Included LED's switch and potentiometer
10	1	0700 300 052	Plastic front panel	
11	1	0700 300 098	Front panel name plate	
12	2	0700 200 033	Rubber cap for switch	
13	1	0700 300 010	Knob	(Arc Force / slope)
14	1	0700 300 054	Knob	(Current setting)
15	2	0700 300 034	Socket	OKC machine 35-70 mm ²
16	1	0700 300 055	Gas connection	
17	1	0700 300 056	Socket 3-pin	
18	1	0700 300 036	Hall	
19	1	0700 300 057	HF transformer	
20	1	0700 300 058	Inductor	
21	1	0700 300 059	Base panel	
22	1	0700 300 060	Thermistor	
23	1	0700 300 061	Fast recovery diode	
24	3	0700 300 039	Heat sink holder	
25	1	-	Heat sink 1	
26	1	-	Main transformer	Included in item 5, Main PC-board
27	1	0700 300 064	Cooling fan	
28	1	0700 300 065	Solenoid valve	
29	1	0700 300 066	Rear plastic panel	
30	1	0700 300 042	Power cable	
31	1	0700 300 067	On/Off switch	
32	1	0700 300 131	Rating plate	
33	1	0700 300 099	Warning Label: Input Power	

Tig 160



Tig 160

Accessories

 A line drawing of a coiled return cable with a clamp at one end and a connector at the other.	Return cable with clamp 0700 300 863 3 m 16 mm ²
 A line drawing of a coiled welding cable with an electrode holder at one end and a connector at the other.	Welding cable with electrode holder 0700 300 862 3 m 16 mm ²
 A photograph of a black and red ET17 TIG torch.	ET17 TIG torch, 4 m 0700 300 860

