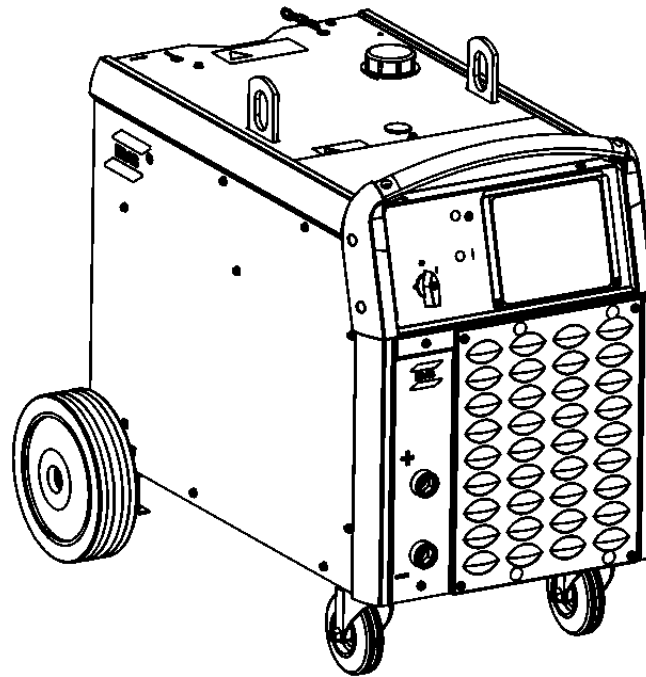


## Spare parts list

Edition 20120502



Valid for serial no. 740,743,741,744,742,745,801,802,803,804,806,805-xxx-xxxx

Ordering no	Product	Notes	Ser.no
0349 309 780	Origo™ Mig 4002cw	400V – 415V, 3~50Hz; with water cooler	740
0349 311 300	Origo™ Mig 4002c	400V – 415V, 3~50Hz	743
0349 311 350	Origo™ Mig 5002cw	400V – 415V, 3~50Hz; with water cooler	741
0349 311 330	Origo™ Mig 5002c	400V – 415V, 3~50Hz	744
0349 311 390	Origo™ Mig 6502cw	400V – 415V, 3~50Hz; with water cooler	742
0349 311 370	Origo™ Mig 6502c	400V – 415V, 3~50Hz	745
0349 311 320	Origo™ Mig 4002cw	230V – 500V, 3~50Hz, 3~60Hz; with water cooler	801
0349 311 310	Origo™ Mig 4002c	230V – 500V, 3~50Hz, 3~60Hz	802
0349 311 360	Origo™ Mig 5002cw	230V – 500V, 3~50Hz, 3~60Hz; with water cooler	803
0349 311 340	Origo™ Mig 5002c	230V – 500V, 3~50Hz, 3~60Hz	804
0349 311 400	Origo™ Mig 6502cw	230V – 500V, 3~50Hz, 3~60Hz; with water cooler	806
0349 311 380	Origo™ Mig 6502c	230V – 500V, 3~50Hz, 3~60Hz	805

Spare parts are to be ordered through the nearest ESAB agency. Kindly indicate type of unit, serial number, denominations and ordering numbers according to the spare parts list.

Maintenance and repair work should be performed by an experienced person, and electrical work only by a trained electrician. Use only recommended spare parts.

Rights reserved to alter specifications without notice.

**Mig 4002c, 4002cw, Mig 5002c, 5002cw, Mig 6502c, 6502cw**

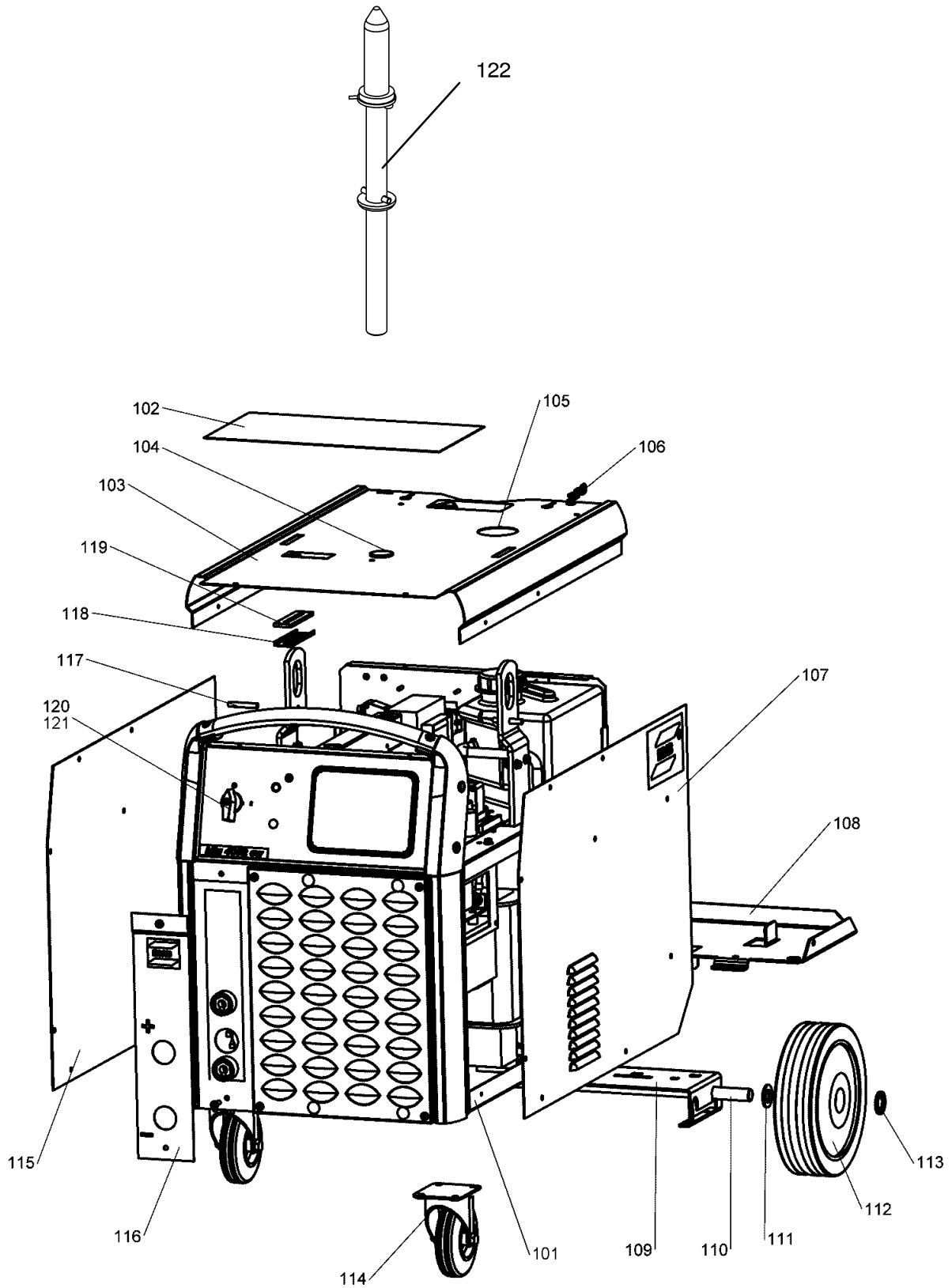
(A) = accessory

C = component designation in the circuit diagram

Item	Qty 4002c	Qty 5002c	Qty 6502c	Ordering no.	Denomination	Notes	C
101	1	1	1	0349 310 348	Bottom plate		
102	1	1	1	0349 310 458	Rubber sheet		
103	1	1	1	0349 310 457	Cover		
104	1	1	1	0349 493 173	Blind plug		
105	1	1	1	0458 992 001	Blind plug	only "c" machines	
106	1	1	1	0321 173 001	Chain	L=700mm	
107	1	1	1	0349 310 455	Side panel		
108	1	1	1	0349 302 267	Bottle shelf		
109	1	1	1	0349 302 268	Clamp		
110	1	1	1	0469 516 005	Shaft		
111	2	2	2	0349 481 044	Plain washer	∅ 21	
112	2	2	2	0469 872 001	Wheel	∅ 250	
113	2	2	2	0192 859 126	Locking washer		
114	2	2	2	0349 304 853	Castor wheel	∅ 125	
115	1	1	1	0349 310 454	Side panel		
116	1	1	1	0349 310 390	Panel plate		
117	2	2	2	0349 480 394	Roll pin		
118	2	2	2	0468 796 001	Support plate		
119	2	2	2	0349 310 962	Seal		
120	1	1	1	0349 311 382	Switch		Q01
121	1	1	1	0349 311 632	Knob		
122	1	1	1	0349 302 754	Guide pin		

"c" = machines without water cooling system

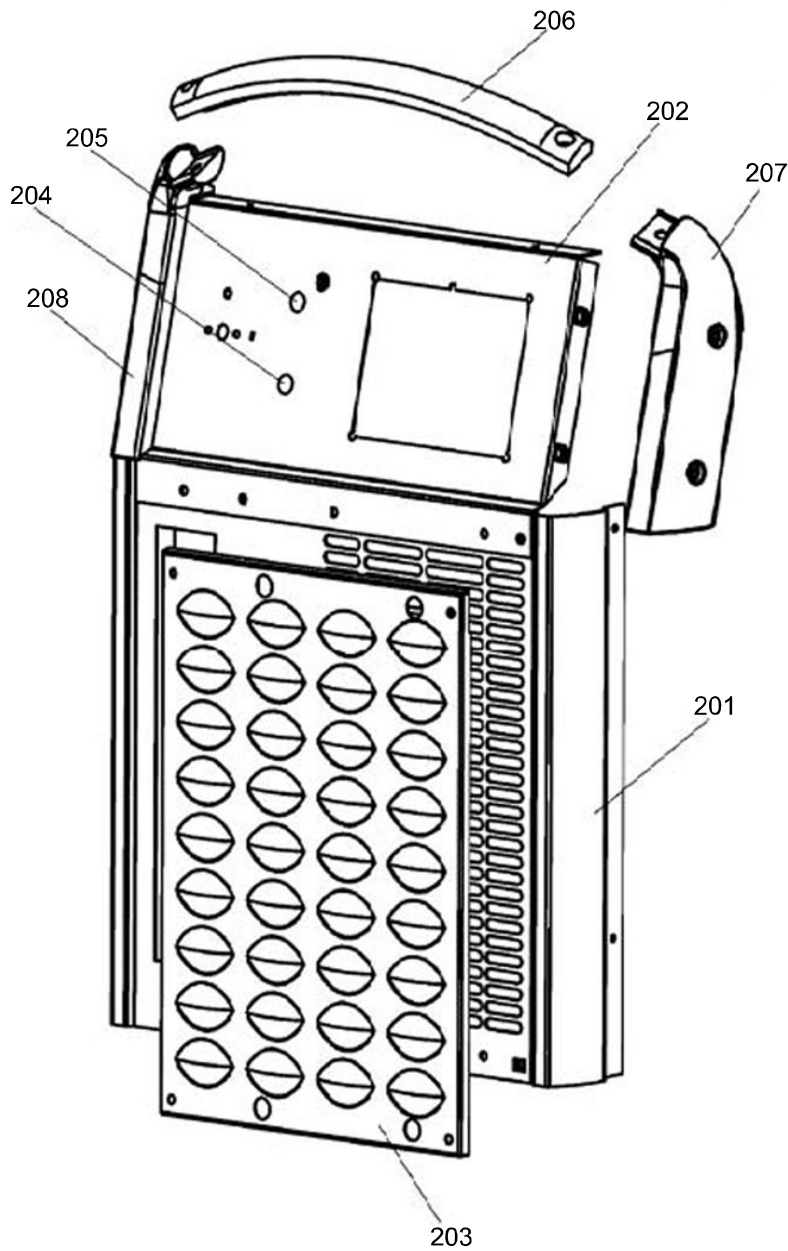
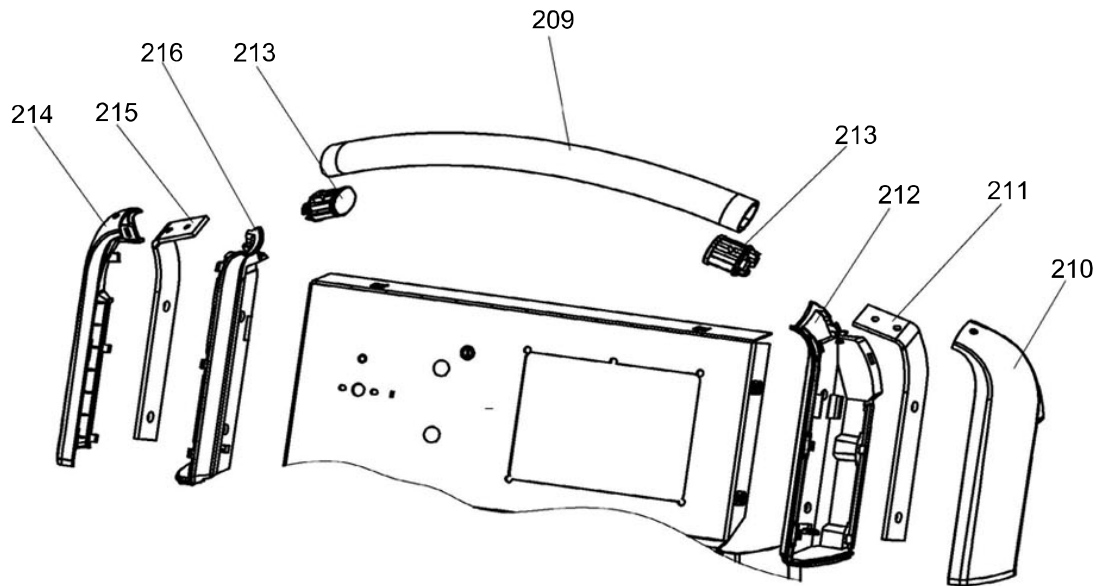
**Mig 4002c, 4002cw, Mig 5002c, 5002cw, Mig 6502c, 6502cw**



**Mig 4002c, 4002cw, Mig 5002c, 5002cw, Mig 6502c, 6502cw**

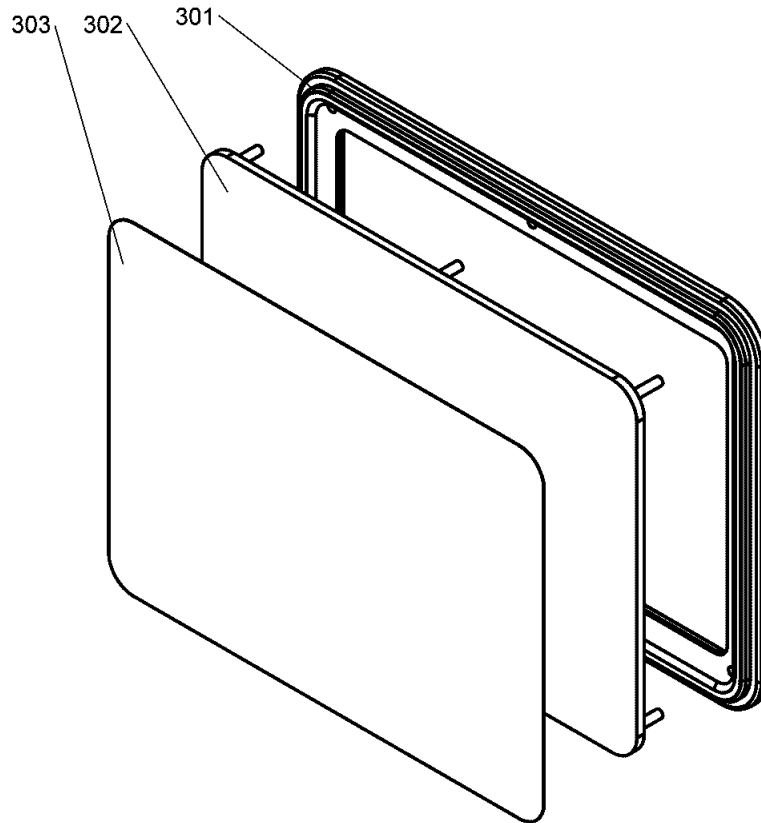
Item	Qty	Ordering no.	Denomination	Notes	C
201	1	0349 310 376	Lower front plate		
202	1	0349 311 482	Front panel		
203	1	0349 302 285	Grill		
204	1	0369 733 005	Indicating lamp	orange, 24V	H2
205	1	0369 733 007	Signal lamp	white, 48V	H4
206	1	0349 302 284	Handle	Valid for serial no.: xxx 8xx xxxx to xxx 9xx xxxx, xxx 0xx xxxx to xxx 110 xxxx	
207	1	0349 302 283	Right corner	Valid for serial no.: xxx 8xx xxxx to xxx 9xx xxxx, xxx 0xx xxxx to xxx 110 xxxx	
208	1	0349 302 282	Left corner	Valid for serial no.: xxx 8xx xxxx to xxx 9xx xxxx, xxx 0xx xxxx to xxx 110 xxxx	
209	1	0349 310 966	Handle	Valid from serial no.: xxx 111 xxxx	
210	1	0349 311 034	Cover right	Valid from serial no.: xxx 111 xxxx	
211	1	0349 311 035	Bracket right	Valid from serial no.: xxx 111 xxxx	
212	1	0349 311 033	Base right	Valid from serial no.: xxx 111 xxxx	
213	2	0349 311 039	Reduction insert	Valid from serial no.: xxx 111 xxxx	
214	1	0349 311 037	Cover left	Valid from serial no.: xxx 111 xxxx	
215	1	0349 311 038	Bracket left	Valid from serial no.: xxx 111 xxxx	
216	1	0349 311 036	Base left	Valid from serial no.: xxx 111 xxxx	

**Mig 4002c, 4002cw, Mig 5002c, 5002cw, Mig 6502c, 6502cw**



**Mig 4002c, 4002cw, Mig 5002c, 5002cw, Mig 6502c, 6502cw**

Item	Qty	Ordering no.	Denomination	Notes	C
301	1	0458 381 001	Seal		
302	1	0459 305 001	Panel plate		
303	1	0349 311 476	Label		



**Mig 4002c, 4002cw, Mig 5002c, 5002cw, Mig 6502c, 6502cw**

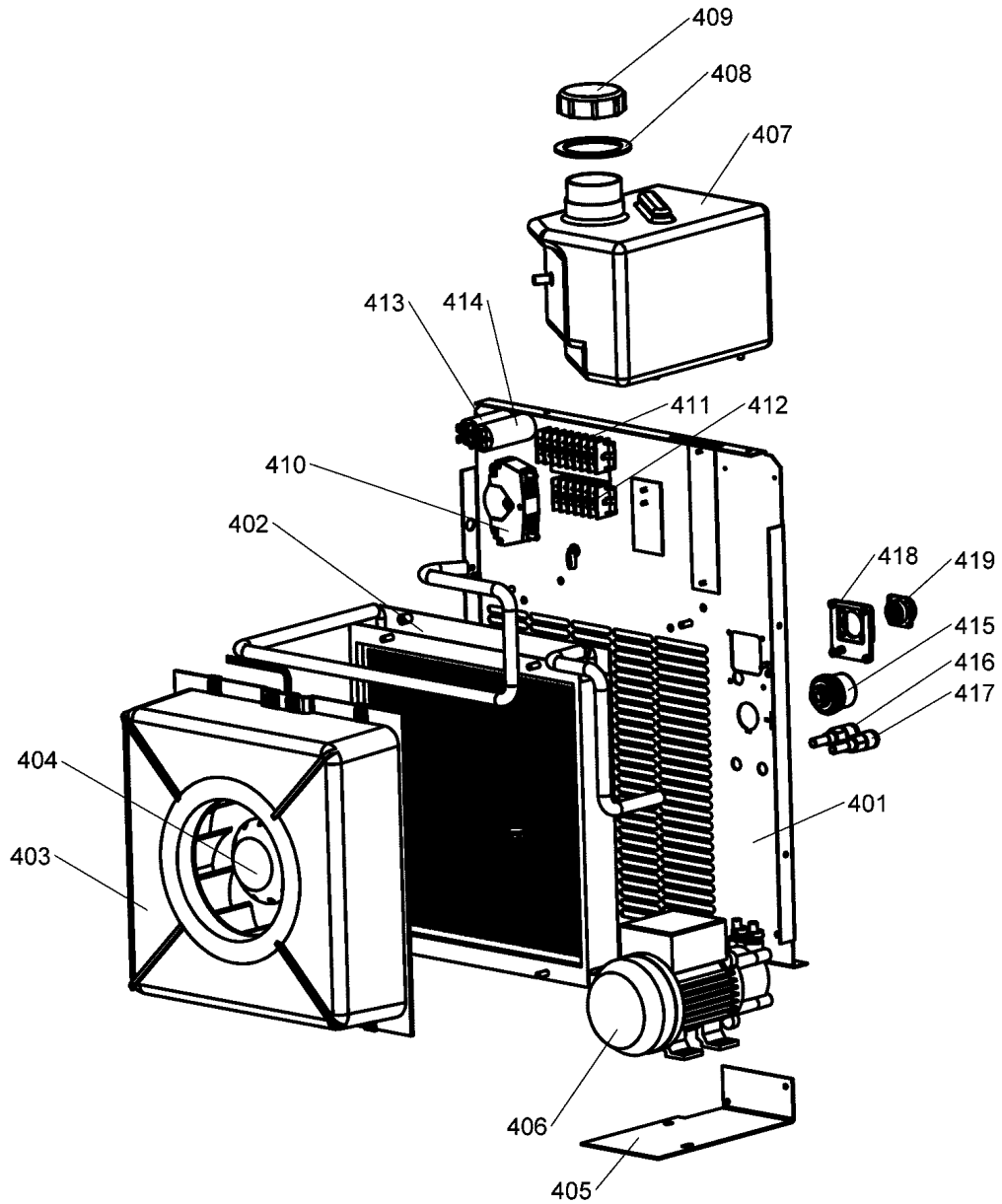
**Mig 4002c, 4002cw, Mig 5002c, 5002cw, Mig 6502c, 6502cw**

Item	Qty	Ordering no.	Denomination	Notes	C
401	1	0349 310 264	Rear panel		
402	1	0349 311 701	Radiator	only "cw" machines	
403	1	0469 893 001	Fan mantle		
404	1	0369 827 001	Fan		M1
405	1	0349 310 469	Pump bracket	only "cw" machines	
406	1	0459 288 001	Pump	only "cw" machines	M2
407	1	0469 689 001	Water tank	only "cw" machines	
408	1	0366 481 004	Sealing	only "cw" machines	
409	1	0469 689 002	Cover	only "cw" machines	
410	1	0469 950 880	Cable inlet		
411	1	0466 884 008	Connection	8-pol.	X30
412	1	0466 884 006	Terminal	only "cw" machines	X40
413	1	0191 085 206	Capacitor	6uF	C1
414	1	0191 085 203	Capacitor	3uF	C2
415	1	0160 362 881	OKC contact		
416	1	0365 803 011	Quick connector	Blue, only "cw" machines	
417	1	0365 803 012	Quick connector	Red, only "cw" machines	
418	1	0459 854 001	Insulation		
419	1	0538 500 111	Sleeve socket		

"cw" = machines with water cooling system



**Mig 4002c, 4002cw, Mig 5002c, 5002cw, Mig 6502c, 6502cw**



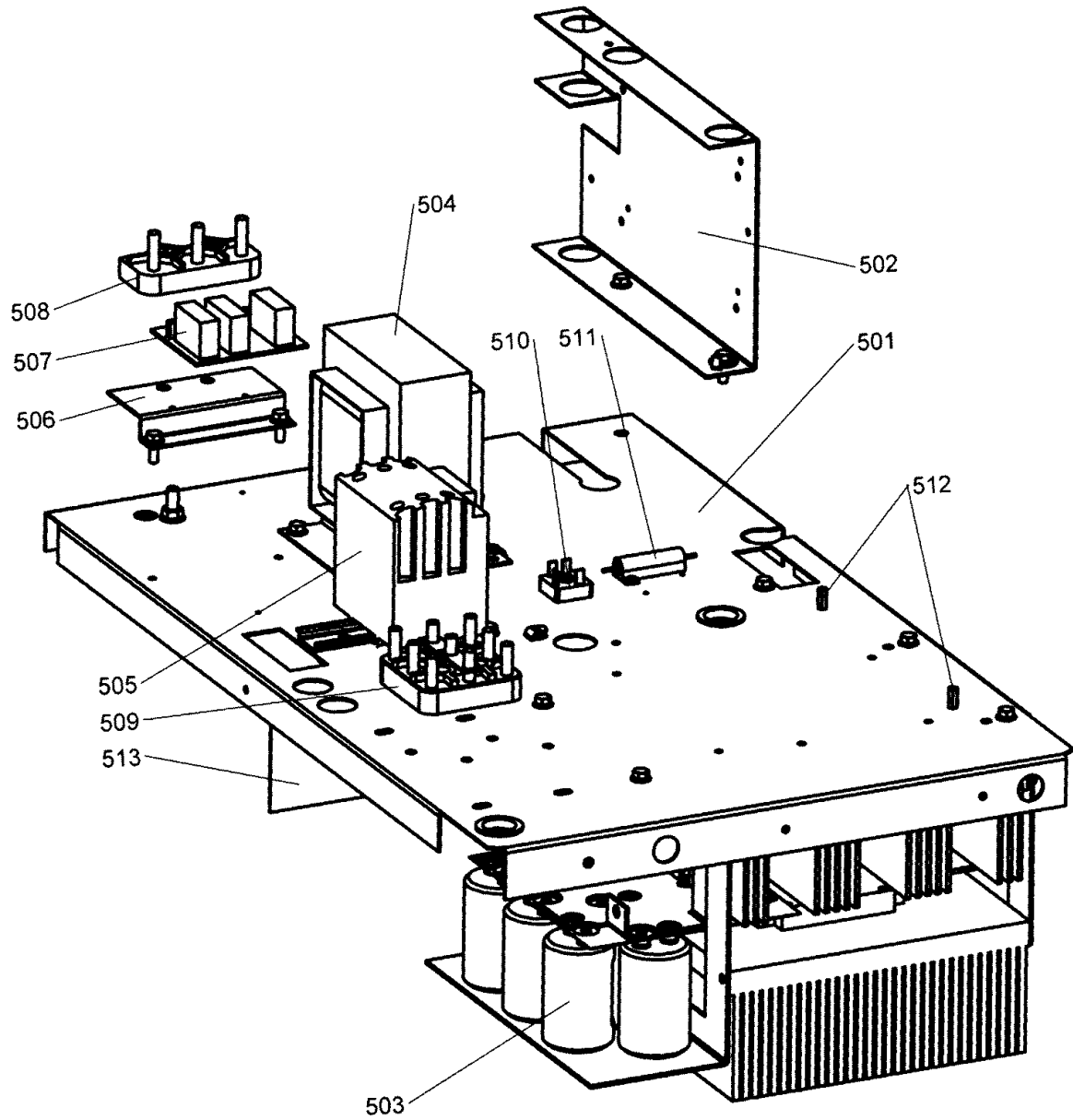
**Mig 4002c, 4002cw, Mig 5002c, 5002cw, Mig 6502c, 6502cw**

Item	Qty 4002c	Qty 5002c	Qty 6502c	Ordering no.	Denomination	Notes	C
501	1	1	1	0349 310 304	Shelf		
502	1	1	1	0349 310 272	Intermediate plate		
503	1	-	-	0349 308 601	Chopper 400		V0
	-	1	-	0349 311 236	Chopper 500		V0
	-	-	1	0349 311 237	Chopper 600		V0
	1	1	1	SCOMES – 0349311821 SEMIKRON – 0349311822	Thermal switch	Valid up to serial no xxx-145-xxxx	B2
	1	1	1	0349 311 786	Thermostat cpl 160 deg		TC1
504	1	1	1	0349 311 232	Transformer	"sv" machines	TC1
505	1	1	-	0349 484 211	Contactactor	"sv" machines	K1
	-	-	1	0349 311 407	Contactactor	"sv" machines	K1
	1	-	-	0349 307 633	Contactactor	"mv" machines	K1
	-	1	-	0349 311 408	Contactactor	"mv" machines	K1
	-	-	1	0349 311 409	Contactactor	"mv" machines	K1
506	1	1	1	0469 701 001	Bracket		
507	1	1	1	0349 311 574	PC board mains filter		K69
508	1	1	1	0162 772 001	Connection block	9-pol., -> 1 piece for "sv" machines	X10
509	1	1	1	0469 899 001	Connection block		XT1
	2	2	2	0469 889 001	Connection block	9-pol., -> 2 pieces for "mv" machines	X10
510	1	1	1	0457 290 046	Rectifier bridge		VB1
511	1	1	1	0349 310 724	Resistor		R2
512	2	2	2	0349 492 142	Spacing sleeve		
513	1	-	-	0349 310 271	Shield		

"sv" = 400-415V

"mv" = 230-500V

**Mig 4002c, 4002cw, Mig 5002c, 5002cw, Mig 6502c, 6502cw**

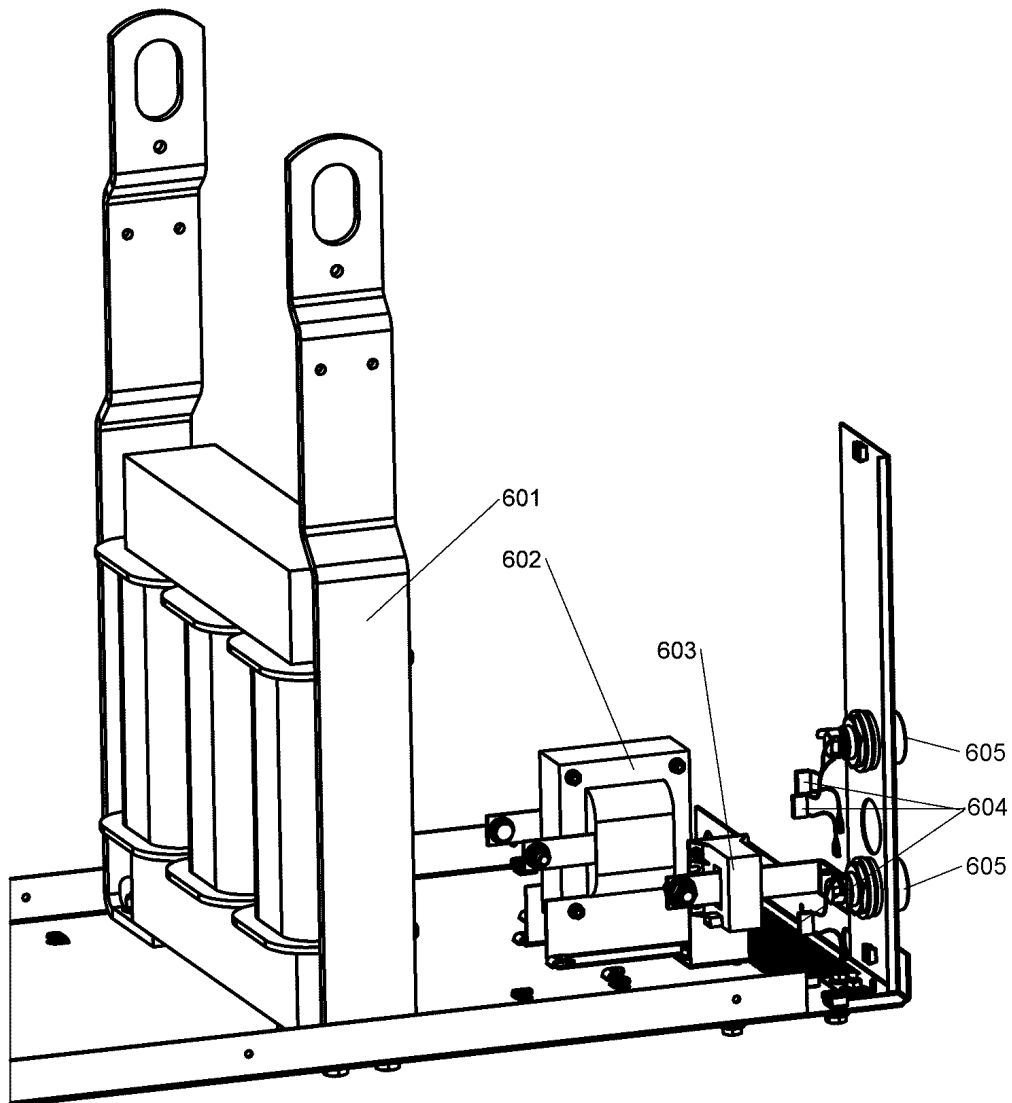


**Mig 4002c, 4002cw, Mig 5002c, 5002cw, Mig 6502c, 6502cw**

Item	Qty 4002c	Qty 5002c	Qty 6502c	Ordering no.	Denomination	Notes	C
601	1	-	-	0349 309 518	Transformer	"sv" machines	TR1
	1	-	-	0349 311 255	Transformer	"mv" machines	TR1
	-	1	-	0349 310 145	Transformer	"sv" machines	TR1
	-	1	-	0349 311 256	Transformer	"mv" machines	TR1
	-	-	1	0349 310 796	Transformer	"sv" machines	TR1
	-	-	1	0349 311 254	Transformer	"mv" machines	TR1
602	1	1	-	0349 311 498	Inductor		L1
	-	-	1	0349 311 659	Inductor		L1
603	1	1	1	0458 063 001	Current sensor		CS
604	3	3	3	0349 309 050	Capacitor		C4,C5,C6
605	2	2	2	0160 362 881	OKC connector		

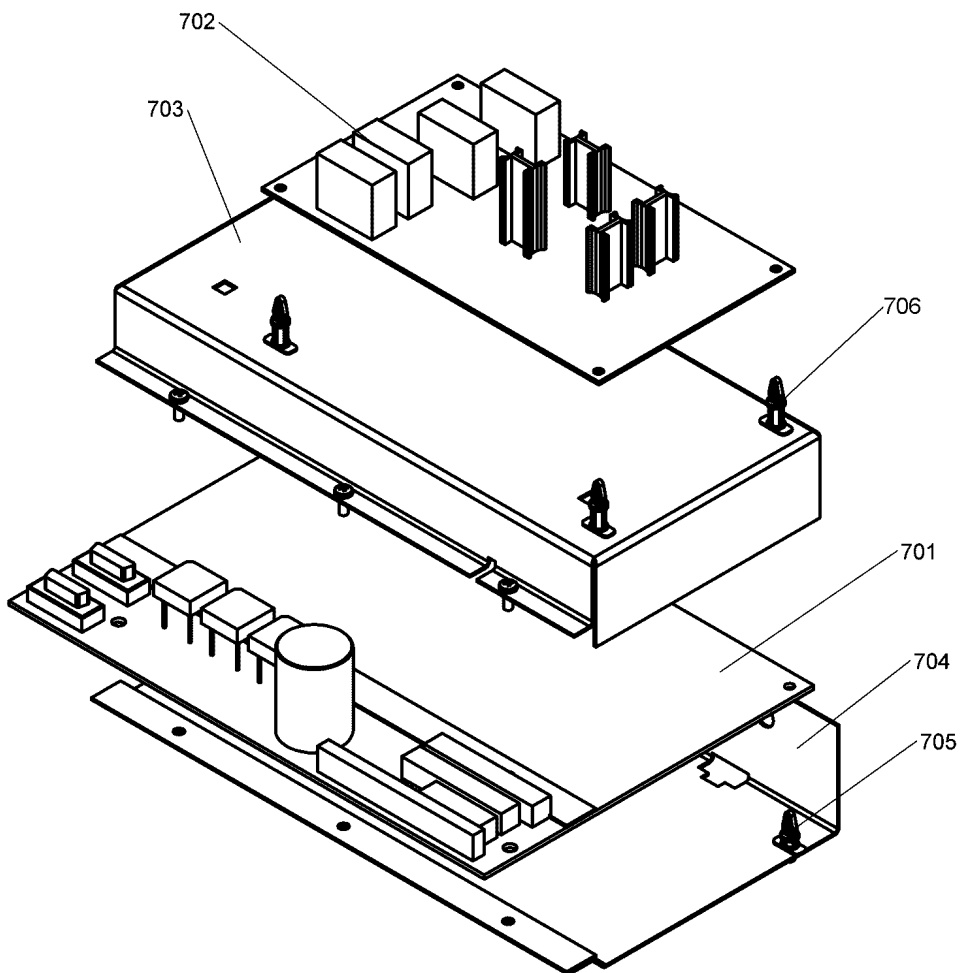
"sv" = 400-415V

"mv" = 230-500V

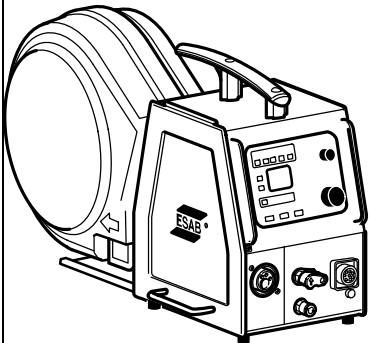




**Mig 4002c, 4002cw, Mig 5002c, 5002cw, Mig 6502c, 6502cw**


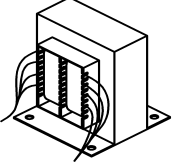
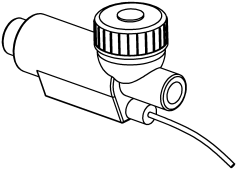

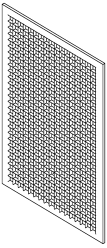
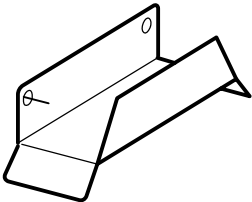

Item	Qty 4002c	Qty 5002c	Qty 6502c	Ordering no.	Denomination	Notes	C
701	1	-	-	0487 201 996	Electronics board		
	-	1	-	0487 201 997	Electronics board		
	-	-	1	0487 201 998	Electronics board		
702	1	1	1	0349 310 979	Electronics board		
703	1	1	1	0458 312 001	Screenbox top		
704	1	1	1	0458 313 001	Screenbox		
705	3	3	3	0349 487 146	Spacer		
706	4	4	4	0349 487 148	Spacer		



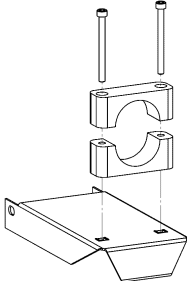
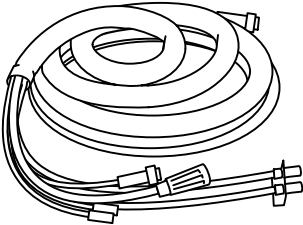
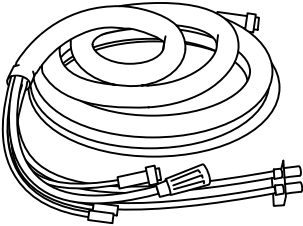
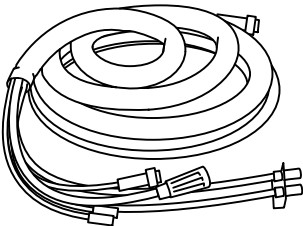
Accessories

	<b>Wire feed unit with control panel MA23</b>	
	Feed 3004 .....	0460 526 887
	Feed 3004 with water .....	0460 526 897
	Feed 4804 .....	0460 526 987
	Feed 4804 with water .....	0460 526 997
	<b>Wire feed unit with control panel MA24</b>	
	Feed 3004 .....	0460 526 889
	Feed 3004 with water .....	0460 526 899
	Feed 4804 .....	0460 526 989
	Feed 4804 with water .....	0460 526 999
	<b>Wire feed unit with control panel U6</b>	
	Feed 3004 .....	0460 526 886
	Feed 3004 with water .....	0460 526 896
	Feed 4804 .....	0460 526 986
	Feed 4804 with water .....	0460 526 996
<b>Wire feed unit without control panel, for U8<sub>2</sub></b>		
Feed 3004 .....	0460 526 881	
Feed 3004 with water .....	0460 526 891	
Feed 4804 .....	0460 526 981	
Feed 4804 with water .....	0460 526 991	
	<b>Control panel U8<sub>2</sub></b>	
	Control panel U8 <sub>2</sub> .....	0460 820 880
	Control panel U8 <sub>2</sub> Plus .....	0460 820 881
	<b>Wire feed unit with control panel MA23</b>	
	YardFeed 2000 .....	0459 906 887
	YardFeed 2000 with water .....	0459 906 897
	<b>Wire feed unit with control panel U6</b>	
	YardFeed 2000 .....	0459 906 886
	YardFeed 2000 with water .....	0459 906 896

**Mig 4002c, 4002cw, Mig 5002c, 5002cw, Mig 6502c,**

	<p><b>A24 Control panel Kit</b> ..... 0349 313 055</p>
	<p><b>Transformer for CO2 heater</b> ..... 0349 302 250</p>
	<p><b>Water flow guard</b> ..... 0349 302 251</p>
	<p><b>Coolant ready mixed (5 l)</b> ..... 0349 483 296</p>
	<p><b>Filter</b> ..... 0349 302 252</p>
	<p><b>Nolder for welding gun and cables</b> ..... 0349 303 362</p>
	<p><b>Adapter (12 pole to 10 pole)</b> ..... 0349 311 512</p>

**Mig 4002c, 4002cw, Mig 5002c, 5002cw, Mig 6502c,**

	<p><b>Strain relief</b> ..... 0349 311 700</p>	<p>0349 311 700</p>
	<p><b>Connection set for 400 A power sources 50mm<sup>2</sup></b></p> <p>10 m ..... 0459 528 562</p> <p>15 m ..... 0459 528 563</p> <p>25 m ..... 0459 528 564</p> <p>35 m ..... 0459 528 565</p> <p>50 m ..... 0459 528 566</p> <p><b>Connection set water 50mm<sup>2</sup></b></p> <p>10 m ..... 0459 528 572</p> <p>15 m ..... 0459 528 573</p> <p>25 m ..... 0459 528 574</p> <p>35 m ..... 0459 528 575</p> <p>50 m ..... 0459 528 576</p>	<p>0459 528 562</p> <p>0459 528 563</p> <p>0459 528 564</p> <p>0459 528 565</p> <p>0459 528 566</p> <p>0459 528 572</p> <p>0459 528 573</p> <p>0459 528 574</p> <p>0459 528 575</p> <p>0459 528 576</p>
	<p><b>Connection set for 500 A power sources 70mm<sup>2</sup></b></p> <p>1.7 m ..... 0459 528 780</p> <p>5 m ..... 0459 528 781</p> <p>10 m ..... 0459 528 782</p> <p>15 m ..... 0459 528 783</p> <p>25 m ..... 0459 528 784</p> <p>35 m ..... 0459 528 785</p> <p><b>Connection set water 70mm<sup>2</sup></b></p> <p>1.7 m ..... 0459 528 790</p> <p>5 m ..... 0459 528 791</p> <p>10 m ..... 0459 528 792</p> <p>15 m ..... 0459 528 793</p> <p>25 m ..... 0459 528 794</p> <p>35 m ..... 0459 528 795</p>	<p>0459 528 780</p> <p>0459 528 781</p> <p>0459 528 782</p> <p>0459 528 783</p> <p>0459 528 784</p> <p>0459 528 785</p> <p>0459 528 790</p> <p>0459 528 791</p> <p>0459 528 792</p> <p>0459 528 793</p> <p>0459 528 794</p> <p>0459 528 795</p>
	<p><b>Connection set for 650 A power sources 95mm<sup>2</sup></b></p> <p>1.7 m ..... 0459 528 980</p> <p><b>Connection set water 95mm<sup>2</sup></b></p> <p>1.7 m ..... 0459 528 990</p> <p>5 m ..... 0459 528 991</p> <p>10 m ..... 0459 528 992</p> <p>15 m ..... 0459 528 993</p> <p>25 m ..... 0459 528 994</p>	<p>0459 528 980</p> <p>0459 528 990</p> <p>0459 528 991</p> <p>0459 528 992</p> <p>0459 528 993</p> <p>0459 528 994</p>





