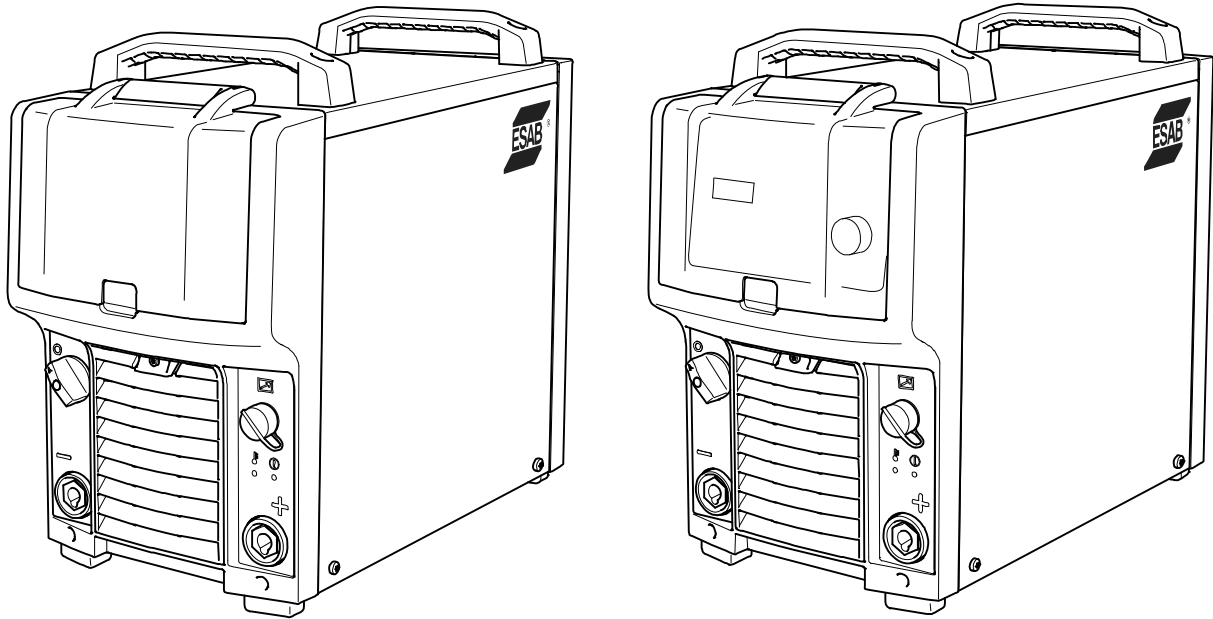


## Spare parts list

Edition 20120828



par-01

Valid for serial no. 145-xxx-xxxx, 211-xxx-xxxx

Ordering no.	Product
0465 154 880	Mig 4004i
0465 155 880	Mig 5004i
0465 152 880	Origo™ Mig 4004i, with A44 control panel
0459 839 051	Spare parts list for control panel

Spare parts are to be ordered through the nearest ESAB agency. Kindly indicate type of unit, serial number, denominations and ordering numbers according to the spare parts list.

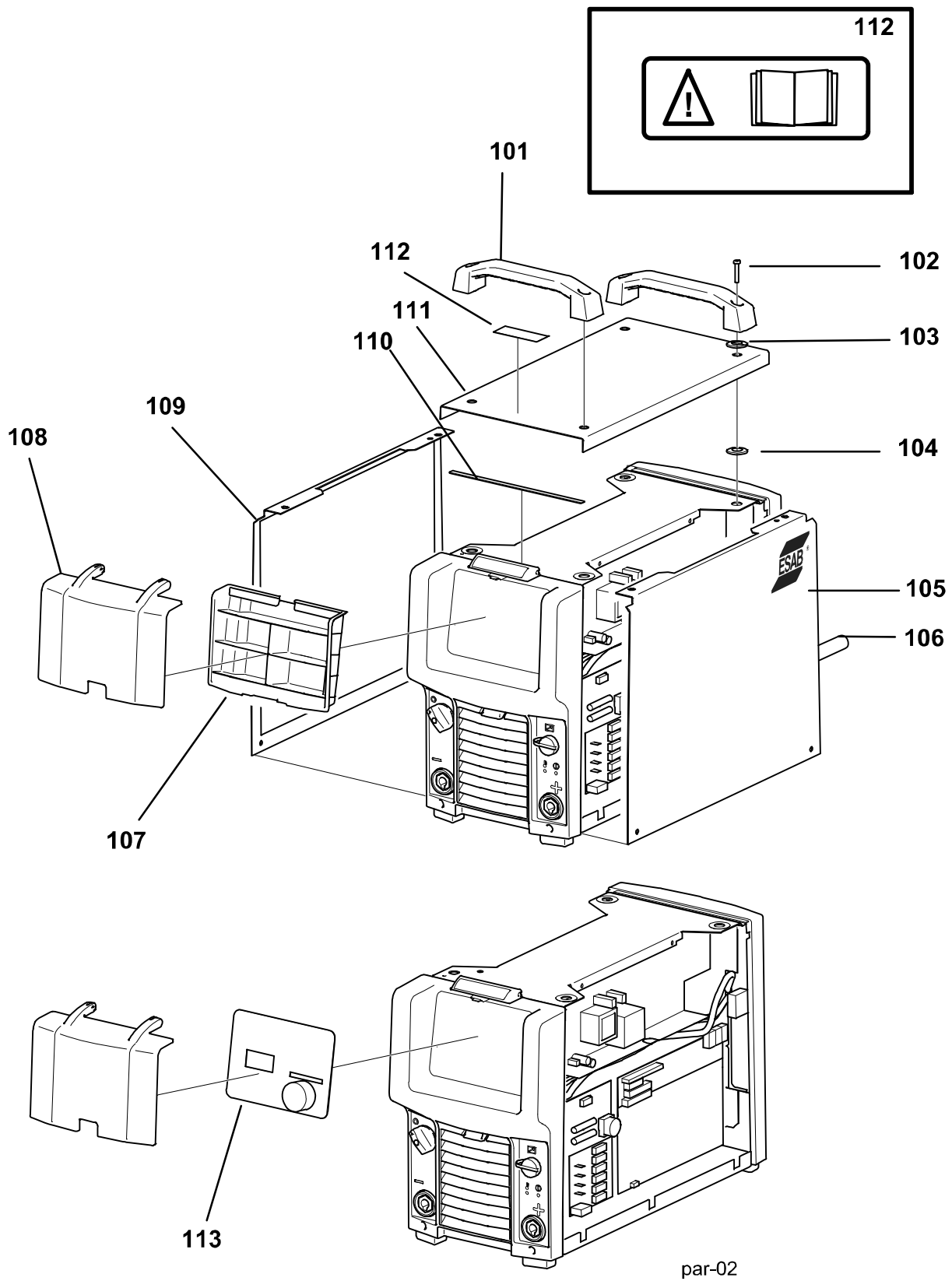
Maintenance and repair work should be performed by an experienced person, and electrical work only by a trained electrician. Use only recommended spare parts.

Rights reserved to alter specifications without notice.

## Mig 4004i, 5004i, Origo Mig 4004i

C = component designation in the circuit diagram

Item	Qty	Ordering no.	Denomination	Notes
101	2	0462 159 001	Handle	
102	4		Screw MRT	M6x40
103	4	0215 100 013	Washer	BRB D12/6.4x1.5
104	8	0349 312 581	Washer insulation	
105	1	0462 157 004	Side panel right	
106	1	0468 516 887	Mains cable	
107	1	0462 218 001	Tool box	Only for power source without control panel (Mig 4004i, 5004i)
108	1	0462 299 001	Lid MMC PS	
109	1	0462 157 003	Side panel left	
110	2	0192 526 002	Sealing strip	
111	2	0462 158 001	Cover	
112	1	0458 950 001	Sign	
113	1		MMC module A44	Only for power source with control panel, (Origo Mig 4004i) see separate spare part list. See page 9.



# Mig 4004i, 5004i, Origo Mig 4004i

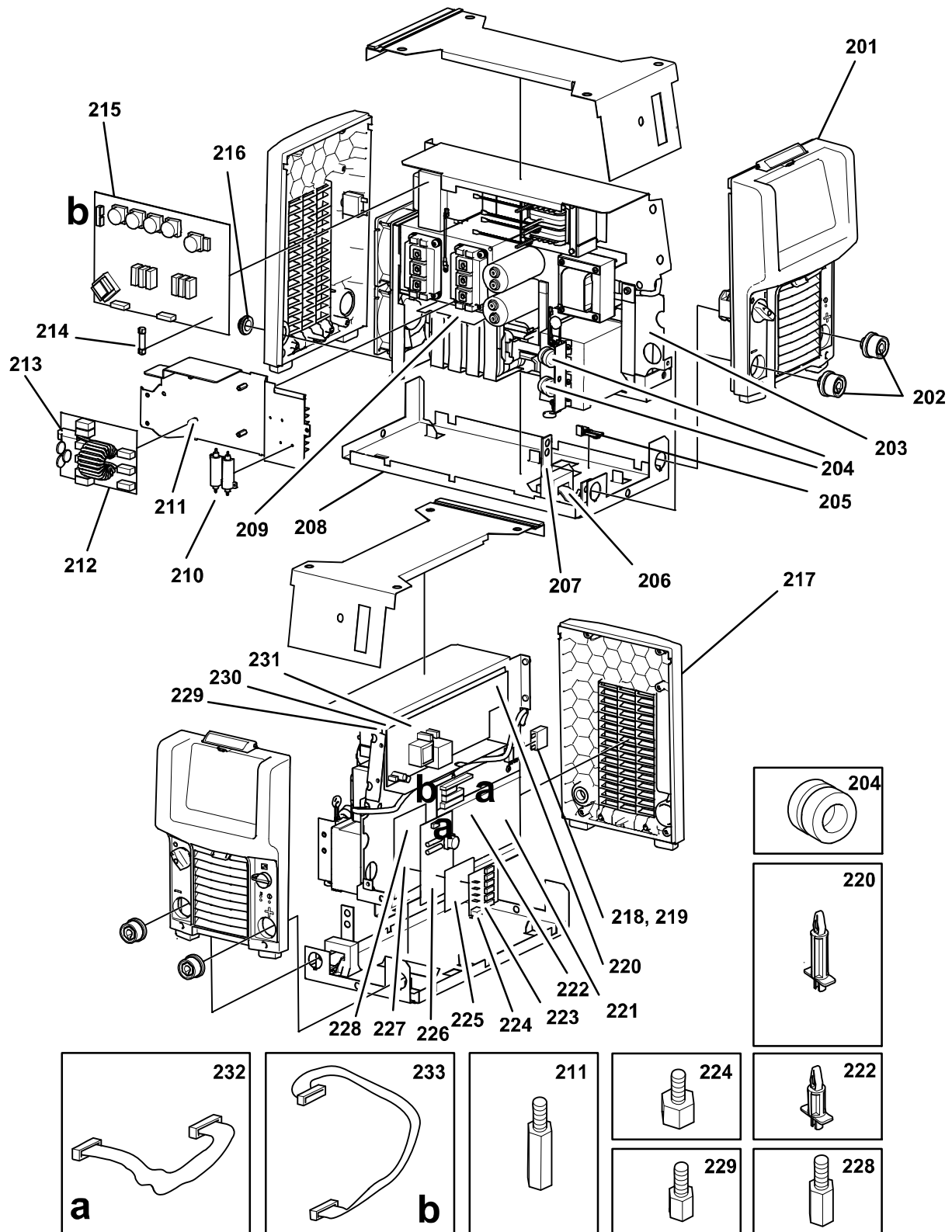
C = component designation in the circuit diagram

Item	Qty	Ordering no.	Denomination	Notes	C
201	1		Front complete	See on page 8	
202	2	0160 362 881	OKC machine contact	50mm2	
203	1	0462 174 002	Rail	OKC (+) to sec. inductor	
204	4	0455 569 002	Ferrite ring core	For Mig 4004i, 5004i	15L2, 15L3, 15L4, 15L5
	2	0455 569 005	Ferrite ring core	For Origo Mig 4004i	15L2, 15L4
205	1	0463 082 880	Capacitor complete	Include 3 pieces	15C3,15C4 15C5
206	1	0458 063 001	Current sensor		15AP2
207	1	0462 193 001	Rail	For minus (-)	
208	1	0462 192 001	Bottom plate with bracket		
209	1	0462 201 004	Insulation plate		
210	1	0462 183 880	Resistor complete	50 W 150 Ohm, Include 2 pieces	15R1,15R2
211	4	0394 516 021	Distance screw	M4x18	
212	1	0462 209 880	PC-board	EMC filter	2AP1
213	1	0463 092 880	PC-board	Varistor	
214	1	0194 399 102	Fuse	On power board	
215	1	0487 914 880	PC-board	Power board	15AP1
216	1	0462 205 001	Gland		
217	1	0462 203 881	Rear complete		
218	1	0193 586 102	Fuse	10A	
219	1	0455 376 001	Cover		
220	6	0192 790 102	Circuit card holder	Spacer 6.3 mm	
221	1	0487 712 881	PC-board	Configured for Mig 40041	20AP1
	1	0487 712 884	PC-board	Configured for Origo Mig 4004i A44	20AP1
	1	0487 712 882	PC-board	Configured for Mig 5004i	20AP1
222	6	0192 790 104	Spacer	12.7 mm, circuit card holder	
223	1	0487 953 880	Rectifier filter board		2AP4
224	5	0394 516 031	Distance screw	M5x8	
	5		Washer	D10/5, 3x1	
	10		Cup	A-10-1 10/5, 2x0.5 steel	
225	1	0465 128 001	Insulation plate		
226	1		Rectifier	See item 250	2AP2
227	1	0462 186 001	Insulation plate		
228	3	0394 516 020	Spacer screw	M4x15	
229	2	0394 516 017	Distance screw	M4x8	
230	1	0462 201 001	Insulation plate		
231	1	0487 837 881	PC-Board	Internal power supply	2AP3
232	1	0463 228 880	Ribbon cable	14 pole	20XS9, 2XS2
233	1	0463 227 880	Ribbon cable	20 pole	20XS10, 15XS3

## SPARE PARTS SETS

Item	Qty	Ordering no.	Denomination	Notes
250	1	0463 195 880	Rectifier set	Includes PC-board rectifier, filter, 2 screws M4x20, 2 washer and thermal compound, roller and mounting instruction.
		0192 058 101	Thermal compound	

Mig 4004i, 5004i, Origo Mig 4004i



par-03

## Mig 4004i, 5004i, Origo Mig 4004i

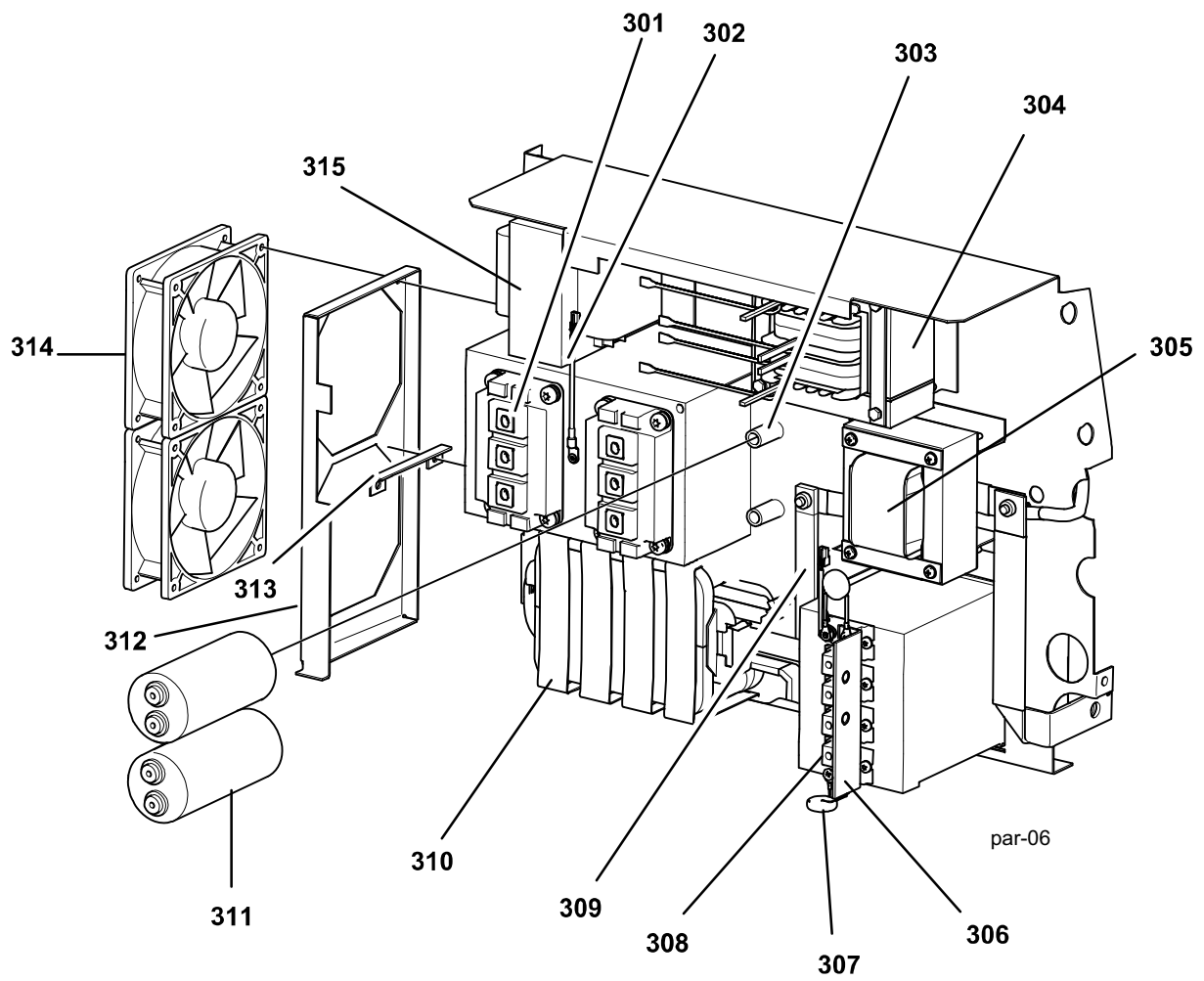
C = component designation in the circuit diagram

Item	Qty	Ordering no.	Denomination	Notes	C
301	2		IGBT module	See item 350	15Q1, 15Q2
302	2	0194 384 002	Thermal protector		15ST2
303	2	0462 202 001	Plastic nut		
304	1	0462 176 001	Input inductor		3L1
305	1	0462 175 001	Output inductor		15L1
306	1	0462 185 001	Rail	For diod	
307	2	0349 312 622	Varistor cpl.	For Mig 4004i, 5004i	15R3, 15R4
	2	0194 149 126	Varistor cpl.	For Origo Mig 4004i	15R3, 15R4
308	4		Diode	See item 351 and 352	15D1, 15D2, 15D3, 15D4
309	1	0462 174 001	Rail	Minus (-) transformer to sec. ind.	
310	1	0462 172 880	Transformer complete		15TM1
	1	0462 172 881	Transformer complete	For Origo Mig 4004i	15TM1
311	2	0462 178 001	Capacitor	1500 µF 450V	15C1, 15C2
312	1	0462 169 001	Bracket	For fan	
313	1	0462 179 001	Bracket		
314	2	0462 316 880	Fan	With contact	5EV1
315	1	0465 099 880	Auxiliary transformer		2TC1

### SPARE PARTS SETS

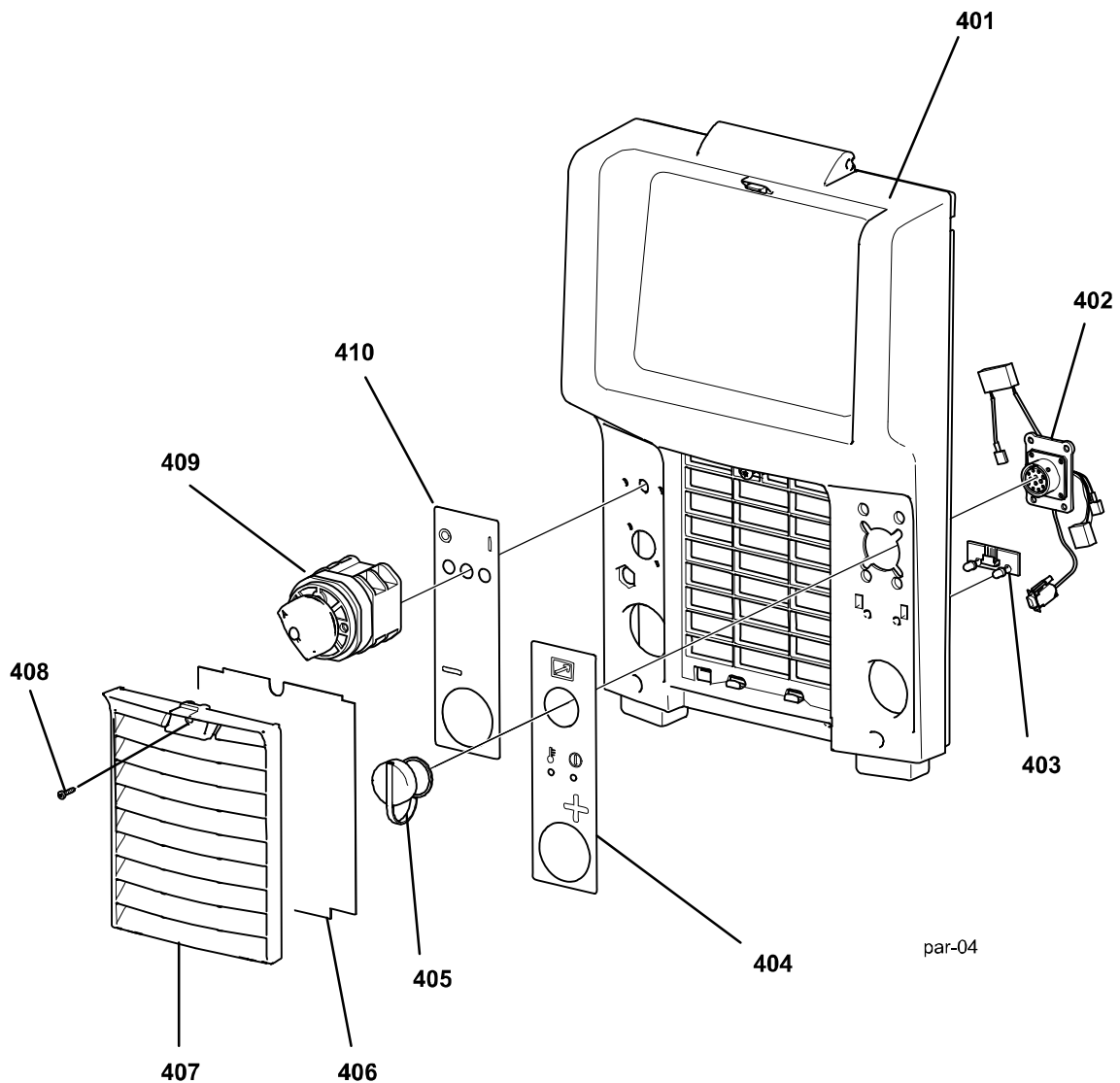
Item	Qty	Ordering no.	Denomination	Notes
350	1	0463 212 880	IGBT set	Includes 2 IGBT modules, thermal compound, 8 screws M6x16, roller and mounting instruction
351	1	0463 213 880	Diode set for Mig 4004i, Mig 5004i	Includes 4 diodes, thermal compound, 16 screws M4x8, Belleville washer, roller and mounting instruction
352	1	0463 213 881	Diode set for Origo Mig 4004i	Includes 4 diodes, thermal compound, 16 screws M4x8, Belleville washer, roller and mounting instruction
		0192 058 101	Thermal compound	

**Mig 4004i, 5004i, Origo Mig 4004i**



C = component designation in the circuit diagram

Item	Qty	Ordering no.	Denomination	Notes	C
		-	<b>Front complete</b>	Includes items 401 - 407, 409 - 410	
401	1	0462 195 001	Front panel		
402	1	0465 096 880	Panel socket	10 pole, cable and item 410 included	XS3, 20XP1, 20XS6, 2XS7, 2L2
	1	0467 911 886	Capacitor	0.1 µF 250 V, included in item 402	C1
403	1	0462 196 001	PC-board	LED	20AP2
404	1	0463 006 001	Label	PS right	
405	1	0455 516 001	Protection cap		
406	1	0462 197 001	Dust filter		
407	1	0462 198 001	Grill		
408	1	0192 277 295	Screw	MRT M4x20, black	
409	1	0462 211 001	Main switch complete		2QF1
410	1	0463 006 002	Label	PS left	



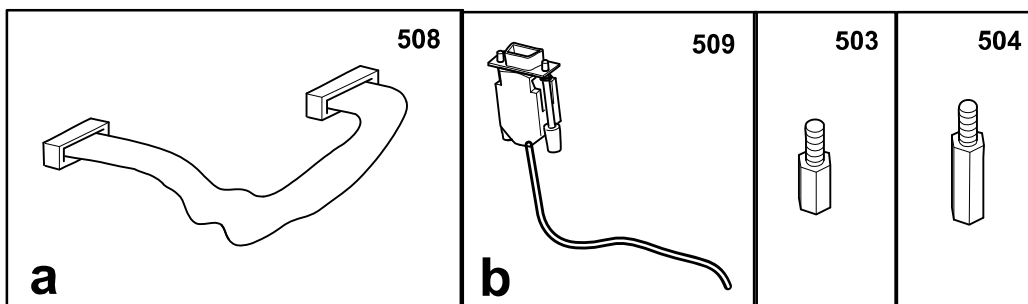
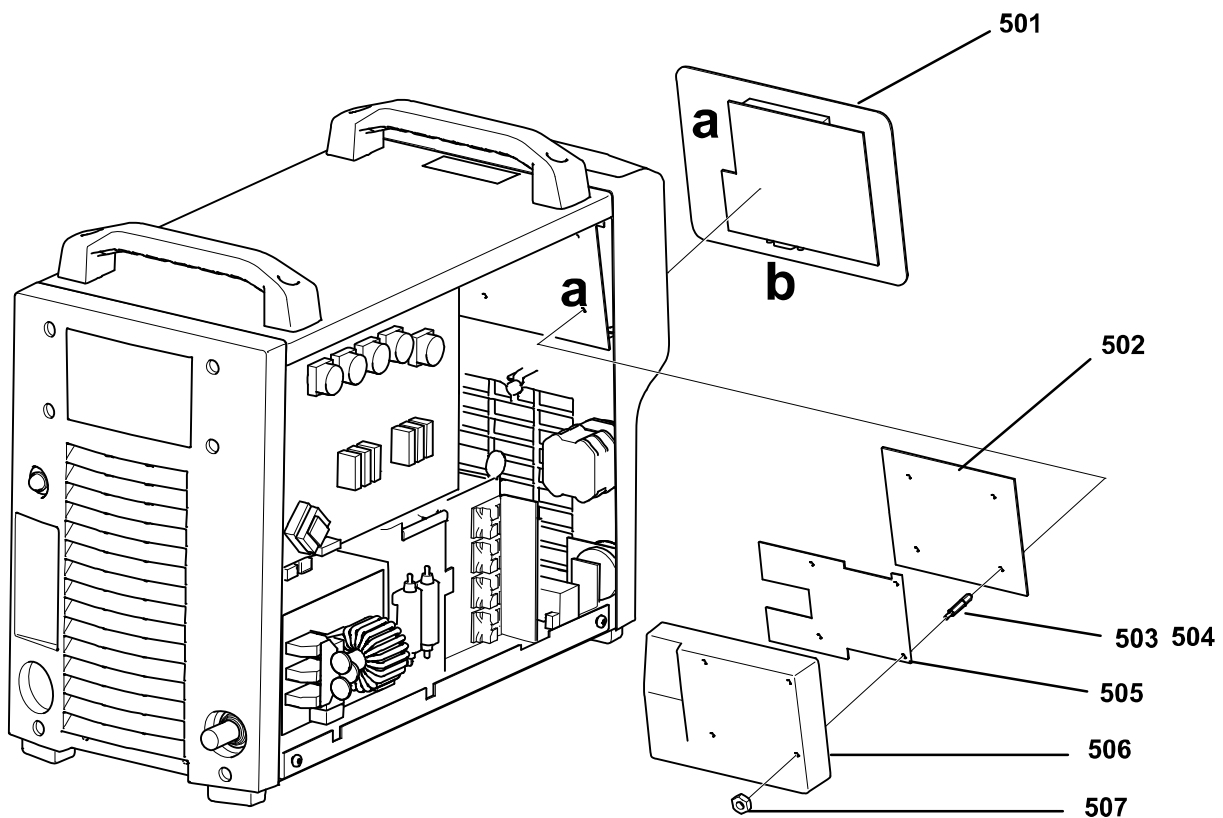


# Origo Mig 4004i

C = component designation in the circuit diagram

Item	Qty	Ordering no.	Denomination	Notes	C
501	1		MMC module	A44, only for Origo Mig 4004i *	
502	1	0349 480 635	Insulation	MMC	
503	4	0349 480 633	Distance screw	M3, plastic	
504	4	0458 537 001	Distance screw	M3x17	
505	1	0487 293 981	PC board		1AP1
506	1	0458 538 001	Screening box		
507	4		Nut	M3, 6k Steel 8.8	
508	1	0462 190 880	Ribbon cable	MMC	1XS1, 1XS2
509	1	0458 357 886	Cable MMC	0.7 m. Connected to PC-board 20AP1	1XP1, 20XP2

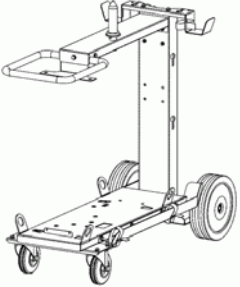
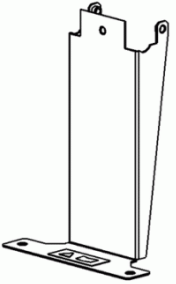
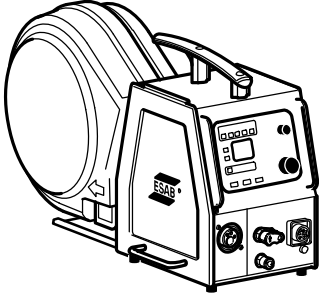
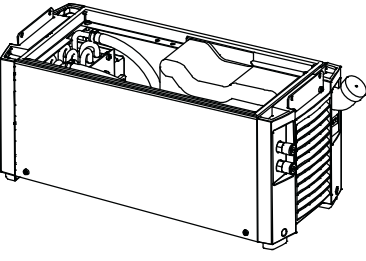
\* See separate spare parts list for control panel.

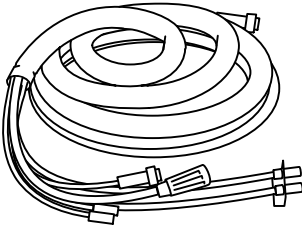





par-05

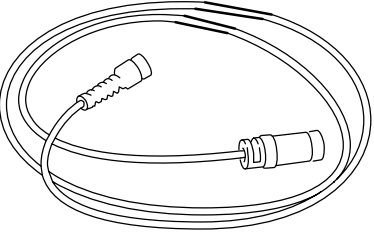
## Mig 4004i, 5004i, Origo Mig 4004i

### Accessories

	<p><b>Trolley</b> ..... 0462 151 880</p> <p>Spare parts list for trolley ..... 0459 839 039</p>
	<p><b>Trolley bracket</b> ..... 0463 125 880</p> <p>option when no cooling unit is assembled</p>
	<p><b>Feed 3004 MA23</b> ..... 0460 526 887</p> <p><b>Feed 3004 MA23, with water</b> ..... 0460 526 897</p> <p><b>Feed 3004 MA24</b> ..... 0460 526 889</p> <p><b>Feed 3004 MA24, with water</b> ..... 0460 526 899</p> <p><b>Feed 4804 MA23</b> ..... 0460 526 987</p> <p><b>Feed 4804 MA23, with water</b> ..... 0460 526 997</p> <p><b>Feed 4804 MA24</b> ..... 0460 526 989</p> <p><b>Feed 4804 MA24, with water</b> ..... 0460 526 999</p>
	<p><b>Cooling unit COOL 1</b> ..... 0462 300 880</p>

	<p><b>Connection set, 70 mm<sup>2</sup></b> 10 pole cable plug - 10 pole cable socket</p> <p>1.7 m ..... 0459 528 780 5 m ..... 0459 528 781 10 m ..... 0459 528 782 15 m ..... 0459 528 783 25 m .. . 0459 528 784 35 m ..... 0459 528 785</p> <p><b>Connection set water, 70 mm<sup>2</sup></b> 10 pole cable plug - 10 pole cable socket</p> <p>1.7 m ..... 0459 528 790 5 m ..... 0459 528 791 10 m ..... 0459 528 792 15 m ..... 0459 528 793 25 m ..... 0459 528 794 35 m ..... 0459 528 795</p>
	<p><b>Remote control unit MTA1 CAN</b> ..... 0459 491 880</p> <p>MIG/MAG: wire feed speed and voltage MMA: current and arc force TIG: current, pulse and background current</p>
	<p><b>Remote control unit AT1 CAN</b> ..... 0459 491 883</p> <p>MMA and TIG: current</p>
	<p><b>Remote control unit AT1 CF CAN</b> ..... 0459 491 884</p> <p>MMA and TIG: rough and fine setting of current</p>

**Mig 4004i, 5004i, Origo Mig 4004i**

	<b>Remote control cable 10 pole - 4 pole</b>	
	5m .....	0459 960 880
	10m .....	0459 960 881
	25m .....	0459 960 882

For more information of the accessories contact the nearest ESAB agency.

