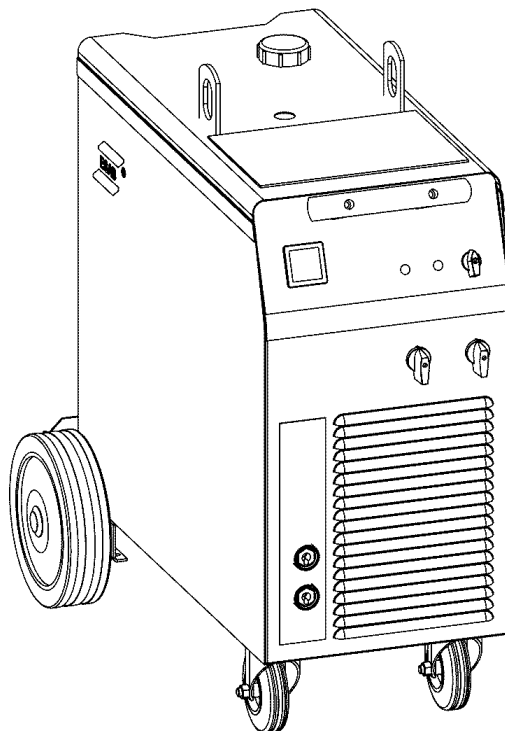


Spare parts list

Edition 20120920



Valid for serial no. 628-xxx-xxxx, 647-xxx-xxxx, 211-xxx-xxxx

Ordering no. Product

- 0349 309 700 Origo™ Mig L305, 400-415V, 3~50Hz
- 0349 306 517 Origo™ Mig L405, 400-415V, 3~50Hz
- 0349 306 594 Origo™ Mig L405, 230/400-415/500V, 3~50Hz, 230/440-460V, 3~60Hz
- 0349 306 563 Origo™ Mig L405w, 400-415V, 3~50Hz
- 0349 313 090 Origo™ Mig L405, 400-415V, 3~50Hz with digital instrument

Spare parts are to be ordered through the nearest ESAB agency. Kindly indicate type of unit, serial number, denominations and ordering numbers according to the spare parts list.

Maintenance and repair work should be performed by an experienced person, and electrical work only by a trained electrician. Use only recommended spare parts.

Rights reserved to alter specifications without notice.

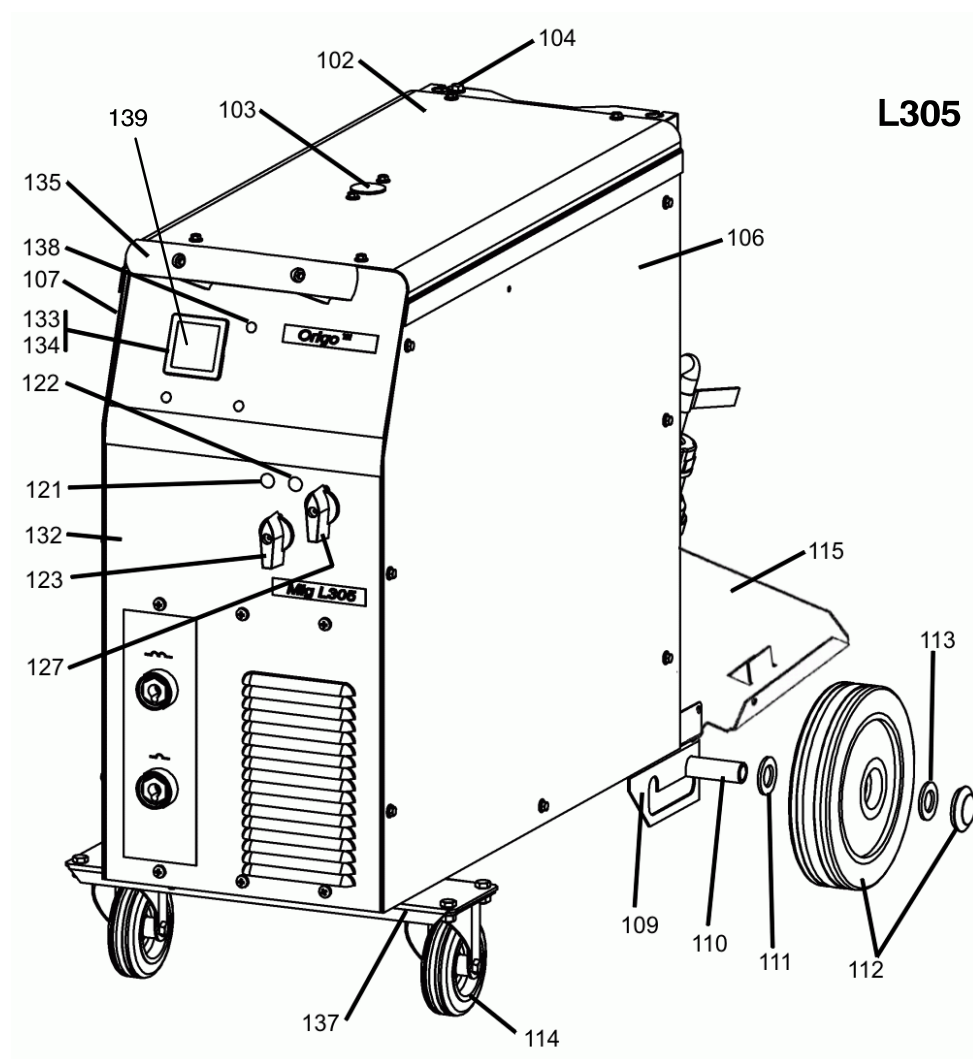
Origo™ Mig L305, L405

(A) = accessory
C = component designation in the circuit diagram

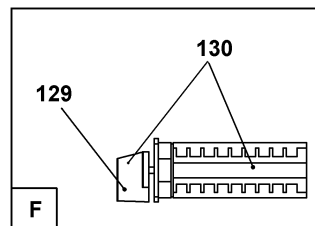
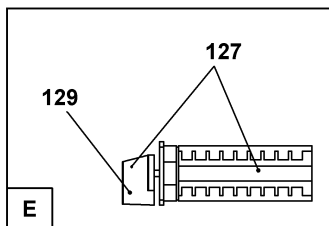
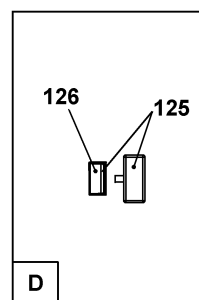
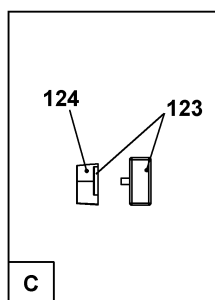
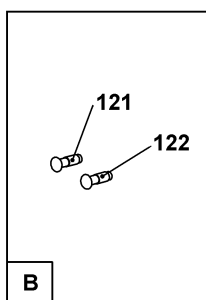
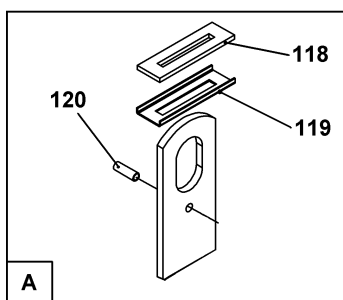
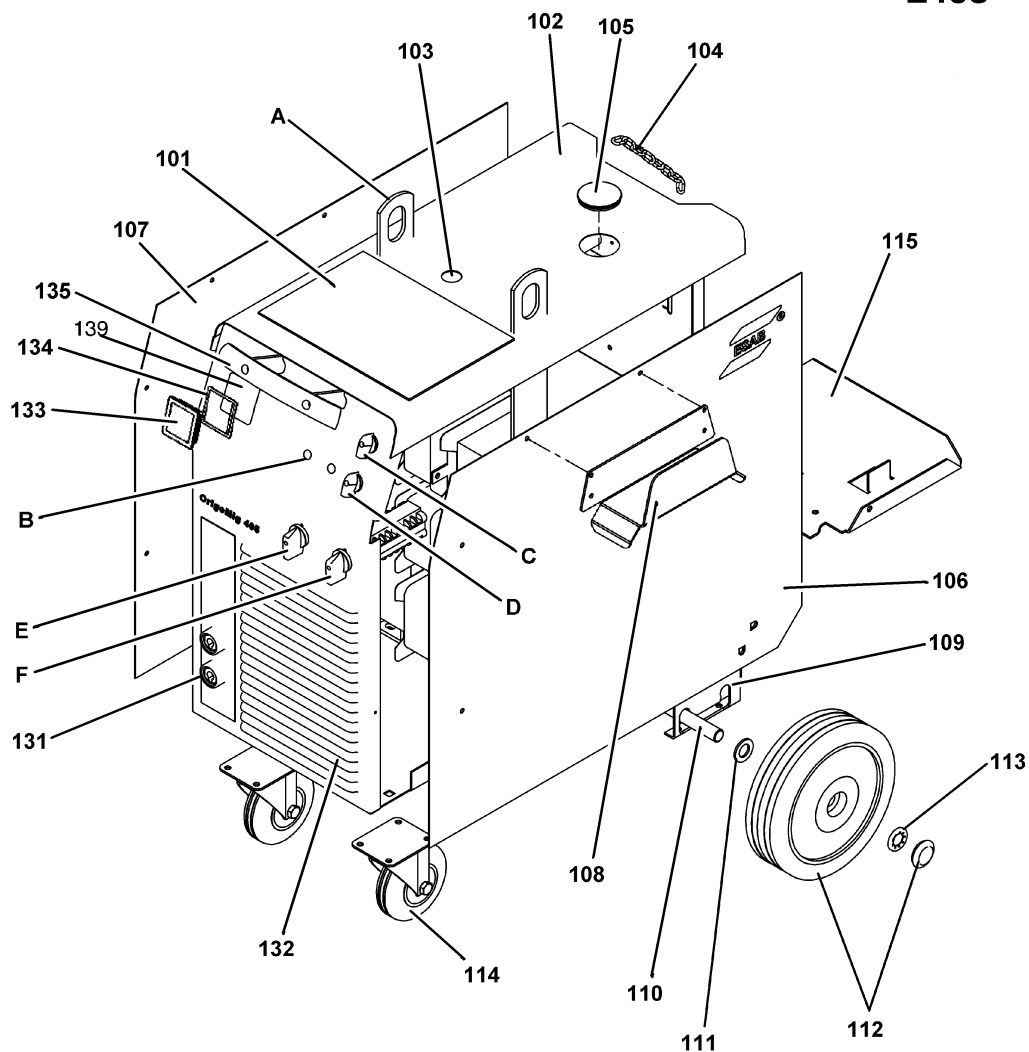
Item	Qty L305	Qty L405	Ordering no.	Denomination	Notes	C
101	-	1	0349 302 564	Rubber mat		
102	-	1	0349 306 580	Cover		
	1	-	0349 310 309	Cover		
103	1	1		Blind plug	Ø31	
104	1	1	0321 173 001	Securing chain	L=700	
105	-	1	0458 992 001	Blind plug	Ø66	
106	-	1	0349 306 581	Side panel with text	right	
	1	-	0349 310 425	Side panel with text	right	
107	-	1	0349 306 582	Side panel with text	left	
	1	-	0349 310 426	Side panel with text	left	
108	1	1		Holder (A)		
109	-	1	0349 302 524	Clamp		
	1	-	0349 302 318	Clamp		
110	-	1	0349 490 746	Shaft		
	1	-	0349 480 311	Shaft		
111	-	2	0215 100 037	Washer	Ø36/21x3mm	
	2	-	0349 481 044	Washer		
112	-	2	0469 872 001	Wheel	Ø250	
	2	-	0455 457 001	Wheel	Ø200	
113	2	2	0192 859 126	Locking washer		
114	-	2	0469 873 001	Castor wheel	Ø125	
	2	-	0349 483 461	Castor wheel	Ø100	
115	-	1	0349 302 558	Shelf		
	1	-	0349 302 453	Shelf		
118	-	2	0468 797 001	Seal		
119	-	2	0468 796 001	Support plate		
120	-	2	0349 480 394	Roll pin		
121	1	1	0369 733 002	Signal lamp	orange	HL2
122	1	1	0369 733 007	Signal lamp	white	HL1
123	-	1	0349 303 552	Switch		QF1
	-	1	0349 311 382	Switch	valid up to machine No.: 628-809-3537	QF1
	1	-	0349 310 547	Switch		
124	-	1	0349 303 553	Knob		
125	-	1	0349 302 305	Switch	only in machine with water cooling; valid up to machine No.: 628-809-3537	SA1
	-	1	0349 311 381	Switch	only in machine with water cooling	SA1
126	-	1	0349 302 253	Knob	only in machine with water cooling	
127	-	1	0193 942 001	Switch		QF2
	1	-	0193 945 001	Switch		

Origo™ Mig L305, L405

Item	Qty L305	Qty L405	Ordering no.	Denomination	Notes	C
129	-	2	0349 302 306	Knob		
130	-	1	0193 945 001	Switch		QF3
131	2	2	0160 362 881	Cable connector OKC 50-95		XS2 XS3
132	-	1	0349 306 574	Front panel	With text. Only for OrigoMig 405	
	-	1	0349 306 575	Front panel	With text. Only for OrigoMig 405w	
	1	-	0349 310 298	Front panel		
133	1	1	0455 172 001	Glass		
134	1	1	0455 174 001	Seal		
135	1	1	0349 305 239	Handle		
136	-	1	0349 302 412	Guide pin		
	1	-	0349 302 754	Guide pin		
137	1	-	0349 303 310	Support		
138	3	-	0455 226 004	Spacer		
139				Circuit board (A)		AP2
	1	1	0349 313 036		Included in digital instrument (A)	
	1	1	0349 312 631		Valid up to serial no: xxx-136-xxxx Valid up to serial no: xxx-137-xxxx	



L405

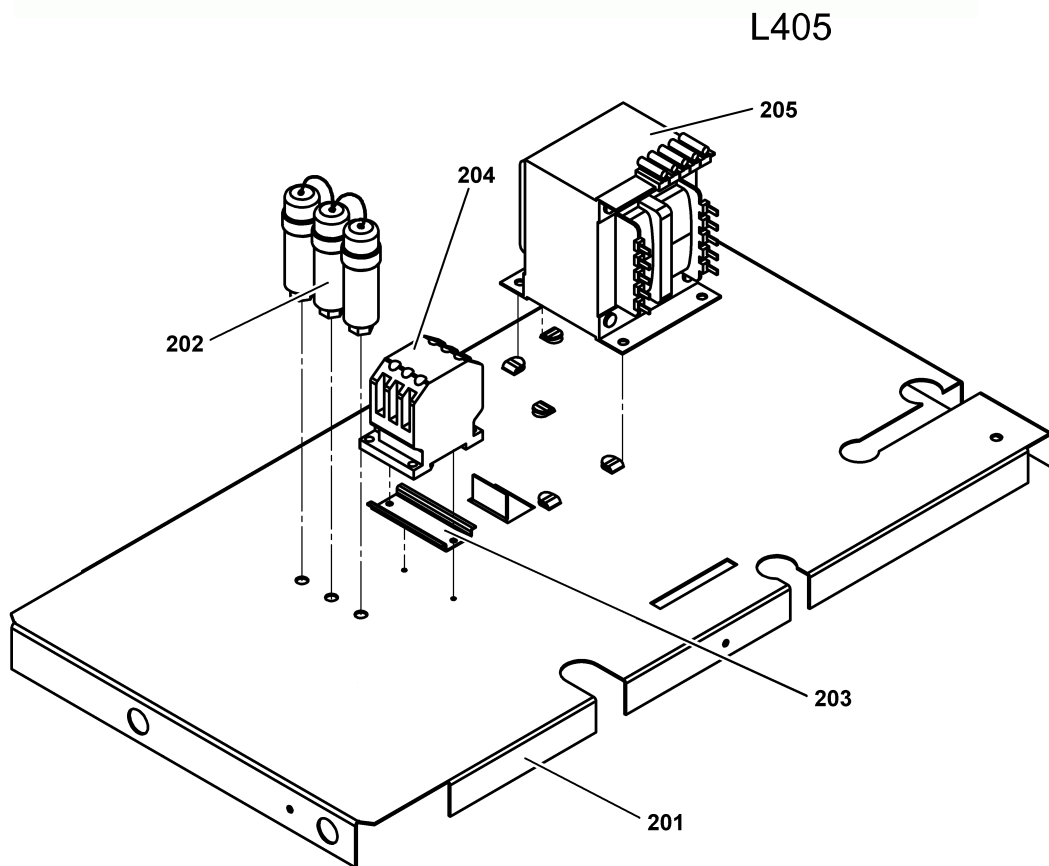
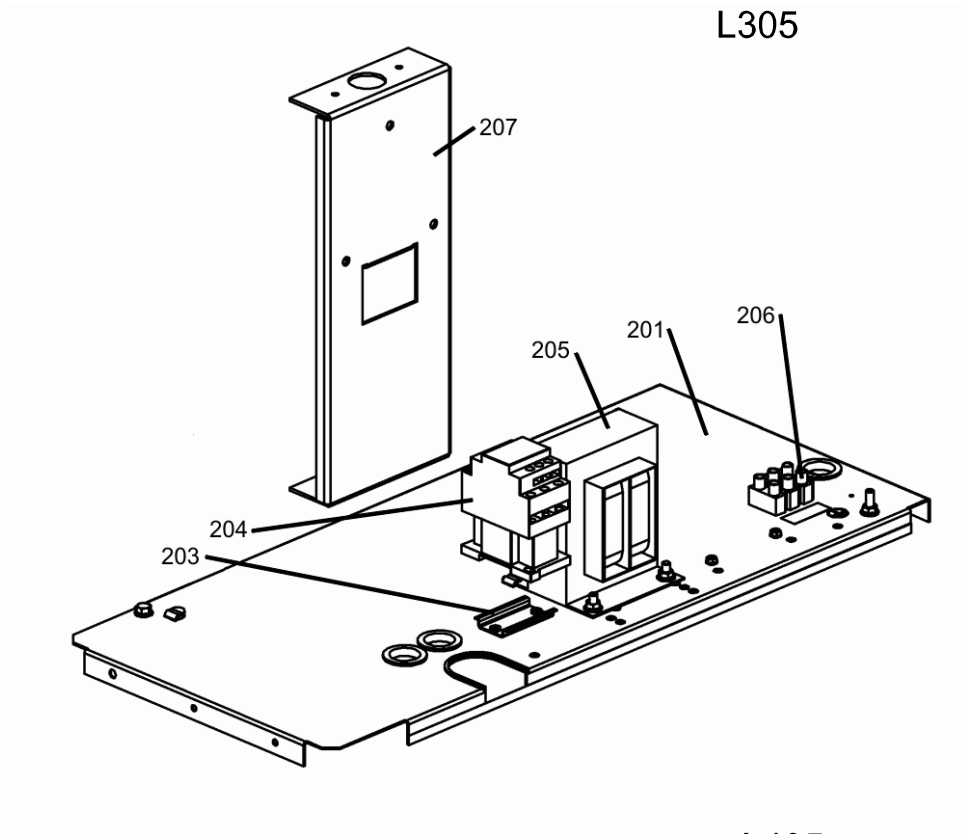


Origo™ Mig L305, L405

(A) = accessory

C = component designation in the circuit diagram

Item	Qty L305	Qty L405	Ordering no.	Denomination	Notes	C
201	-	1	0349 302 527	Intermediate plate		
	1	-	0349 302 338	Intermediate plate		
202	-	1	0349 303 025	Filter		C1, C2, C3
203	-	1	0349 302 421	Rail	400-415V	
	1	-	0193 298 101	Rail		
204	-	1	0193 297 103	Contactor	400-415V	KM1
	-	1	0193 503 101	Contactor	230-500V	KM1
	1	-	0349 484 209	Contactor		KM1
205	-	1	0469 882 001	Control transformer	400-415V	TC1
	-	1	0455 306 001	Control transformer	230-500V	TC1
	1	-	0455 633 001	Control transformer		TC1
206	1	-	0349 310 432	Terminal		
207	1	-	0349 302 705	Support		



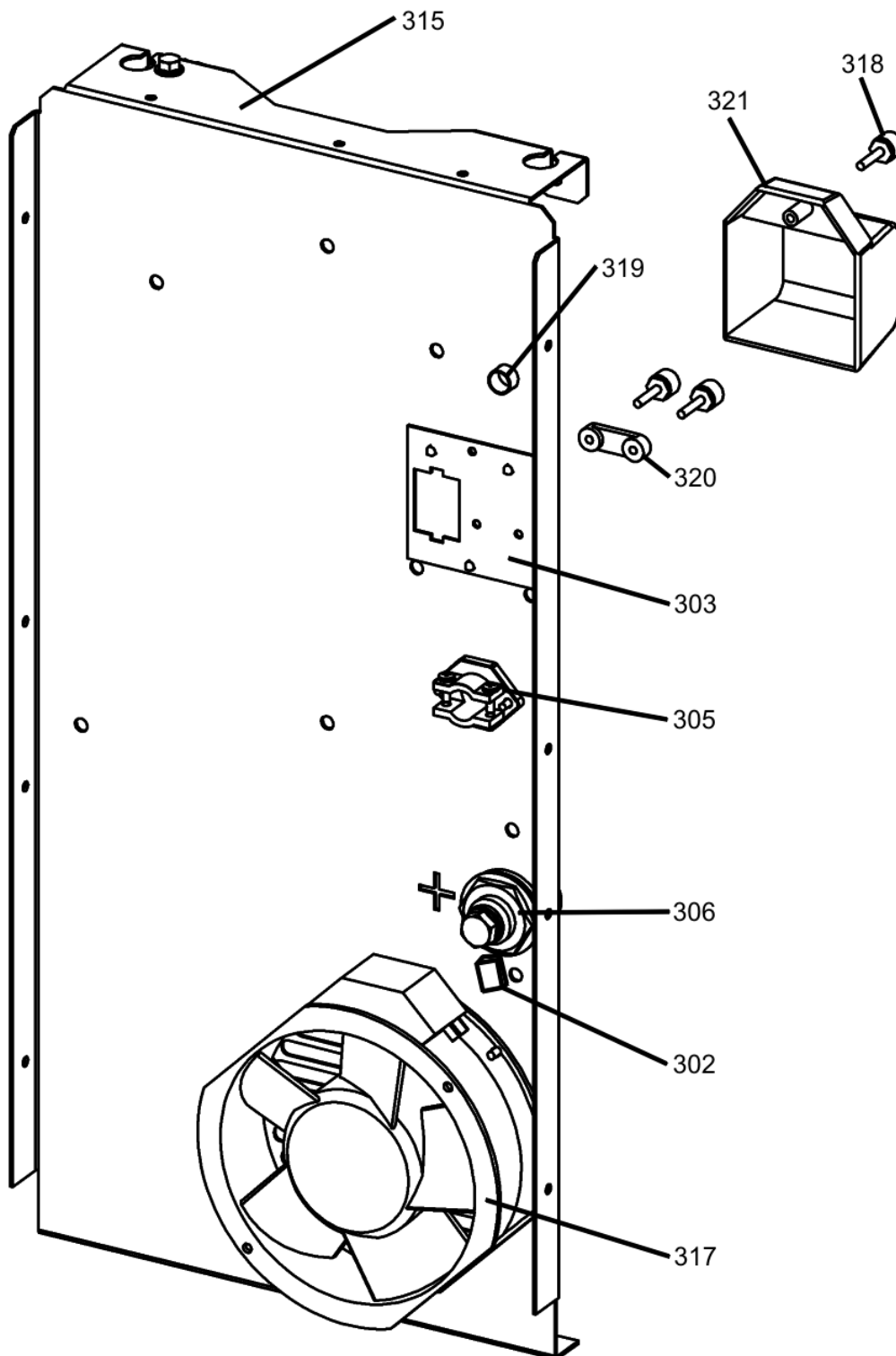
Origo™ Mig L305, L405

(A) = accessory

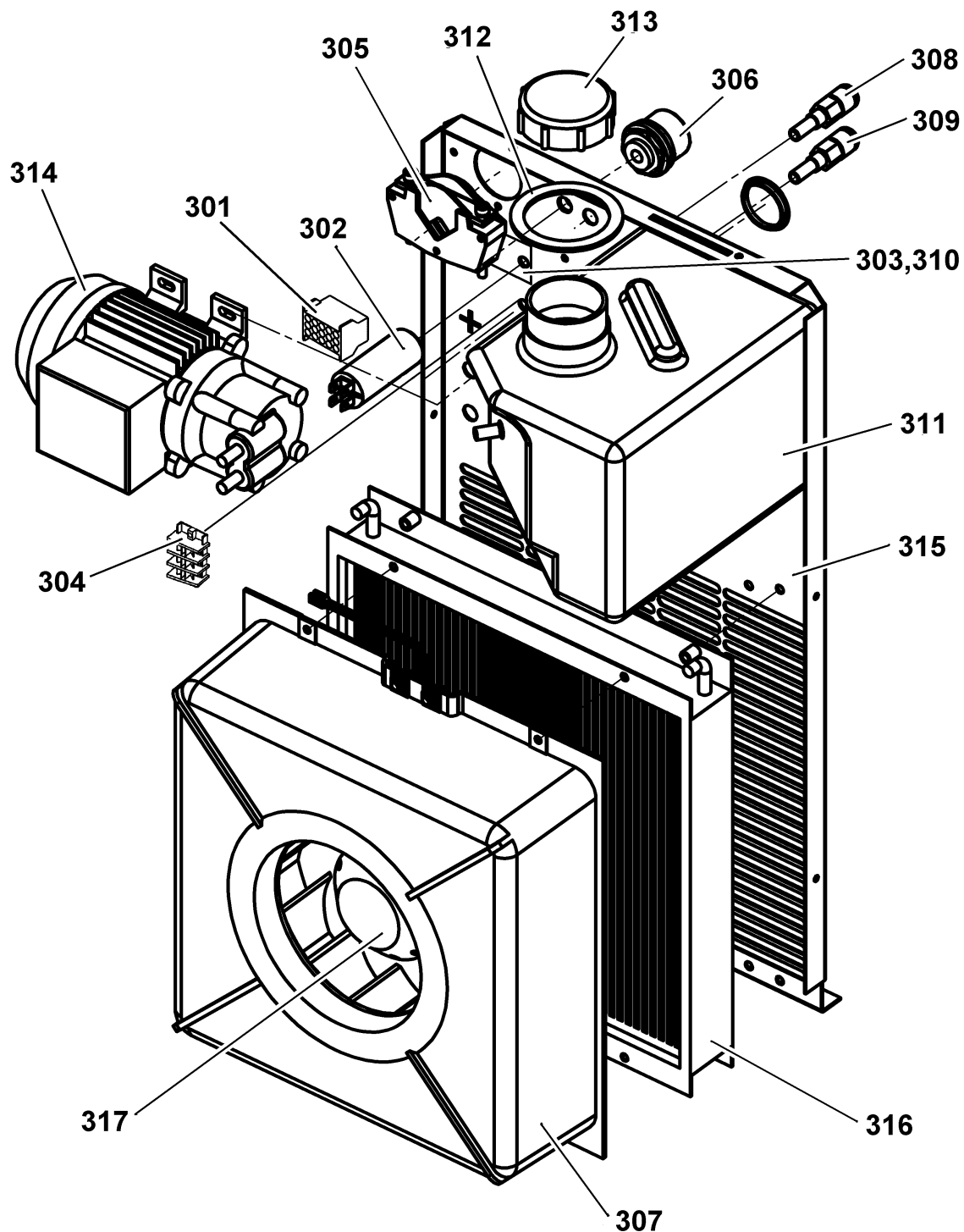
C = component designation in the circuit diagram

Item	Qty L305	Qty L405	Ordering no.	Denomination	Notes	C
301	-	1	0192 784 016	Sleeve plug	15 pole	XS1
302	-	1	0191 085 203	Capacitor	3uF 400V	C4
	1	-	0349 303 303	Capacitor	0,1uF 250V	
303	1	1	0349 306 590	Socket plate		
304	-	1	0466 884 003	Connection block	3 pole	XT1
305	-	1	0469 950 880	Cable inlet		
	1	-	0349 305 481	Gland with lock		
306	1	1	0160 362 881	Current terminal		XS5
307	-	1	0469 893 001	Fan housing		
308	-	1	0365 803 011	Water connection	Female, red, with non-return valve. For OrigoMig 405w	
309	-	1	0365 803 012	Water connection	Female, blue, with non-return valve. For OrigoMig 405w	
310	-	1	0040 936 901	Clip		
311	-	1	0469 689 001	Water tank	Only OrigoMig 405w	
312	-	1	0366 481 004	Seal	Only OrigoMig 405w	
313	-	1	0469 689 002	Cover	Only OrigoMig 405w	
314	-	1	0459 288 001	Pump	Only OrigoMig 405w	M1
315	-	1	0349 306 571	Rear panel		
	1	-	0349 310 405	Rear panel		
316	-	1	0469 688 001	Radiator	Only OrigoMig 405w	
317	-	1	0369 827 001	Fan		EV1
	1	-	0349 483 510	Fan		EV1
318	3	-	0458 689 002	Screw		
319	1	-	0459 489 001	Blind plug		
320	1	-	0040 936 901	Clamp		
321	1	-	0349 306 590	Cover		

L305



L405



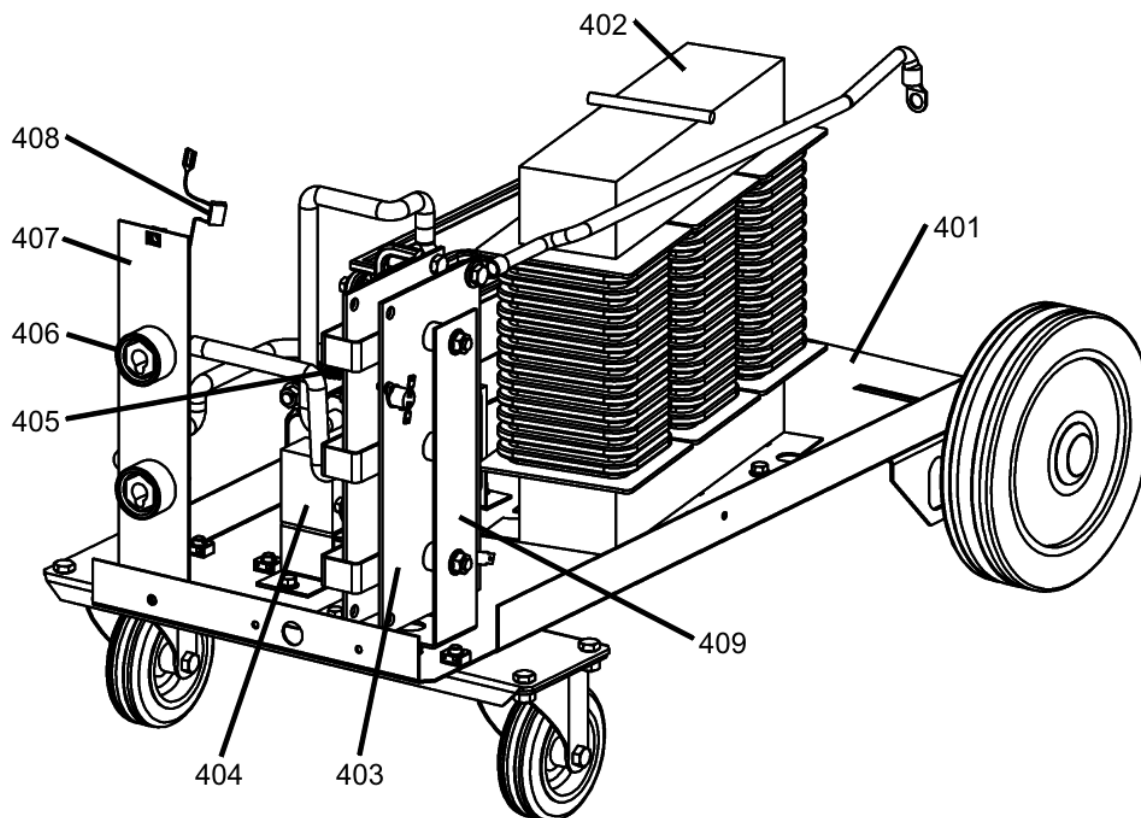
Origo™ Mig L305, L405

(A) = accessory

C = component designation in the circuit diagram

Item	Qty L305	Qty L405	Ordering no.	Denomination	Notes	C
401	-	1	0349 302 523	Bottom plate		
	1	-	0349 302 317	Bottom plate		
402	-	1	0349 302 772	Transformer	with switches	TM1
	1	-	0349 310 243	Transformer	with switches	TM1
	1	-	0349 310 384	Thermal switch	NC, overheating, mounted on transformer	ST1
403	-	1	0455 488 880	Diode bridge		V1
	1	-	0455 815 880	Diode bridge		
404	1		0349 310 245	Inductor		L1
		1	0349 302 778	Inductor		L1
	-	1	0349 483 724	Thermal switch	NC, overheating, mounted on inductor	ST1
405	1	-	0349 486 126	Resistor		
406	2	-	0160 362 881	Current terminal		
407	1	-	0349 302 348	Plate		
408	1	-	0349 302 352	Capacitor		
409	1	-	0349 302 354	Bracket		

L305



L405

