

Spare parts list

Edition 20111010



Valid for serial no. 001-xxx-xxxx, 034-xxx-xxxx

| Ordering no. | Product |
|---------------------|----------------------------------|
| 0558 007 636 | Powercut™ 1600, 400V |
| 0558 007 637 | Powercut™ 1600, 400V 25ft |
| 0558 007 237 | Powercut™ 1600, 575V BL |
| 0558 007 238 | Powercut™ 1600, 575V BL 25ft |
| 0558 008 323 | Powercut™ 1600, 460V |
| 0558 007 23A | Powercut™ 1600, 230/460V BL 25ft |
| 0558 007 230 | Powercut™ 1600, 230/460V |
| 0558 007 231 | Powercut™ 1600, 230/460V 25ft |

Spare parts are to be ordered through the nearest ESAB agency. Kindly indicate type of unit, serial number, denominations and ordering numbers according to the spare parts list.

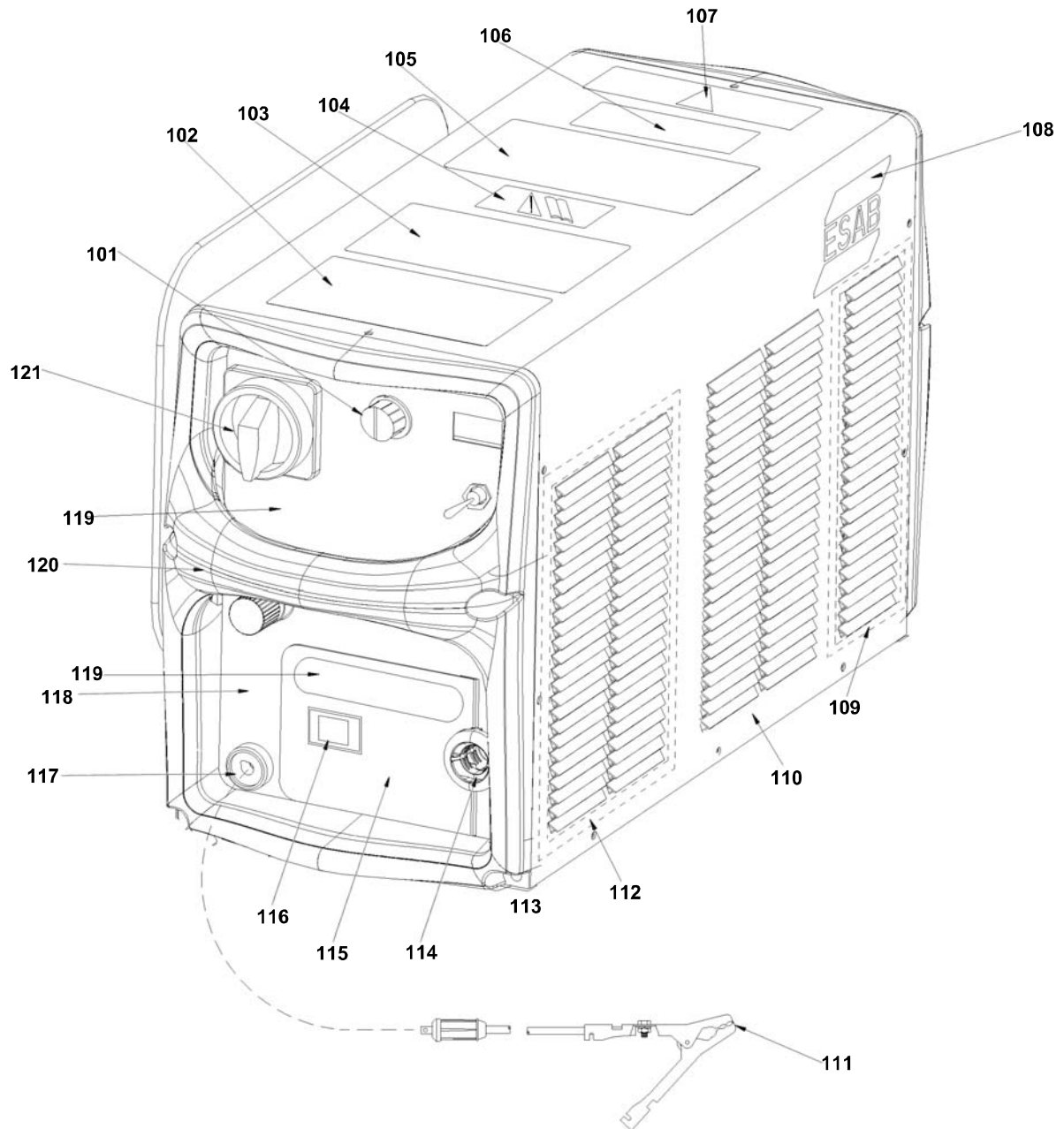
Maintenance and repair work should be performed by an experienced person, and electrical work only by a trained electrician. Use only recommended spare parts.

Rights reserved to alter specifications without notice.

C = component designation in the circuit diagram

| Item | Qty 400V | Qty 575V BL | Qty 460V | Qty 230/ 460V | Ordering no. | Denomination | Notes | C |
|------|-------------|-------------------|-------------|---------------------|--------------|--|----------------|------|
| 101 | 1 | 1 | 1 | 1 | 0558 001 818 | Knob | 34.7mm | |
| 102 | | | | | | Label warning general arc weld and cut | | |
| 103 | | | | | | Label warning general arc weld and cut FR | | |
| 104 | | | | | | Label symbol caution read manual | | |
| 105 | | | | | | Label consumable breakdown | PT-38 BL | |
| 106 | | | | | | Label warning OEM safety in- terlock BL | | |
| 107 | | | | | | Label danger high voltage BL | | |
| 108 | | | | | | Label ESAB die cut | | |
| 109 | 1 | 1 | 1 | 1 | 0558 009 122 | Screen splash | Small | |
| 110 | 1 | 1 | 1 | 1 | 0558 007 199 | Cover top | | |
| 111 | 1 | 1 | 1 | 1 | 0558 007 195 | Cable work | | |
| 112 | 1 | 1 | 1 | 1 | 0558 009 141 | Screen splash | Large | |
| 113 | 4 | 4 | 4 | 4 | 0558 008 603 | Foot | Rubber | |
| 114 | 2 | 2 | 2 | 2 | 0558 007 460 | Strain relief half torch cable | | |
| 115 | 1 | 1 | 1 | 1 | 0558 007 205 | Door access | | |
| 116 | 1 | 1 | 1 | 1 | 0558 007 069 | Latch sliding | | |
| 117 | 1 | 1 | 1 | 1 | 0558 007 074 | Socket panel | 250A | WORK |
| 118 | 1 | 1 | 1 | 1 | 0558 007 197 | Panel front | | |
| 119 | | 1 | 1 | 1 | 0558 954 069 | Overlay front panel BL | | |
| 119 | 1 | | | | 0558 954 070 | Overlay front panel | | |
| 120 | 2 | 2 | 2 | 2 | 0558 006 911 | End cap/ handle | | |
| 121 | 1 | 1 | 1 | 1 | 0558 005 434 | Switch power | 60A/600VAC 3PH | SW1 |

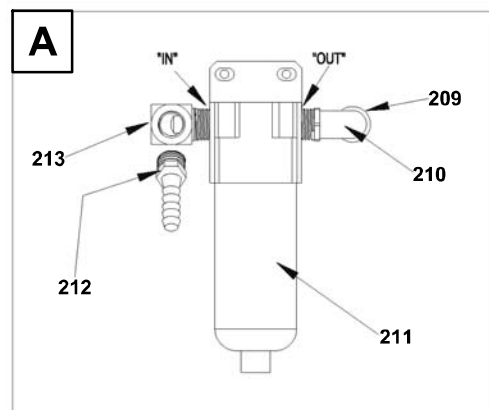
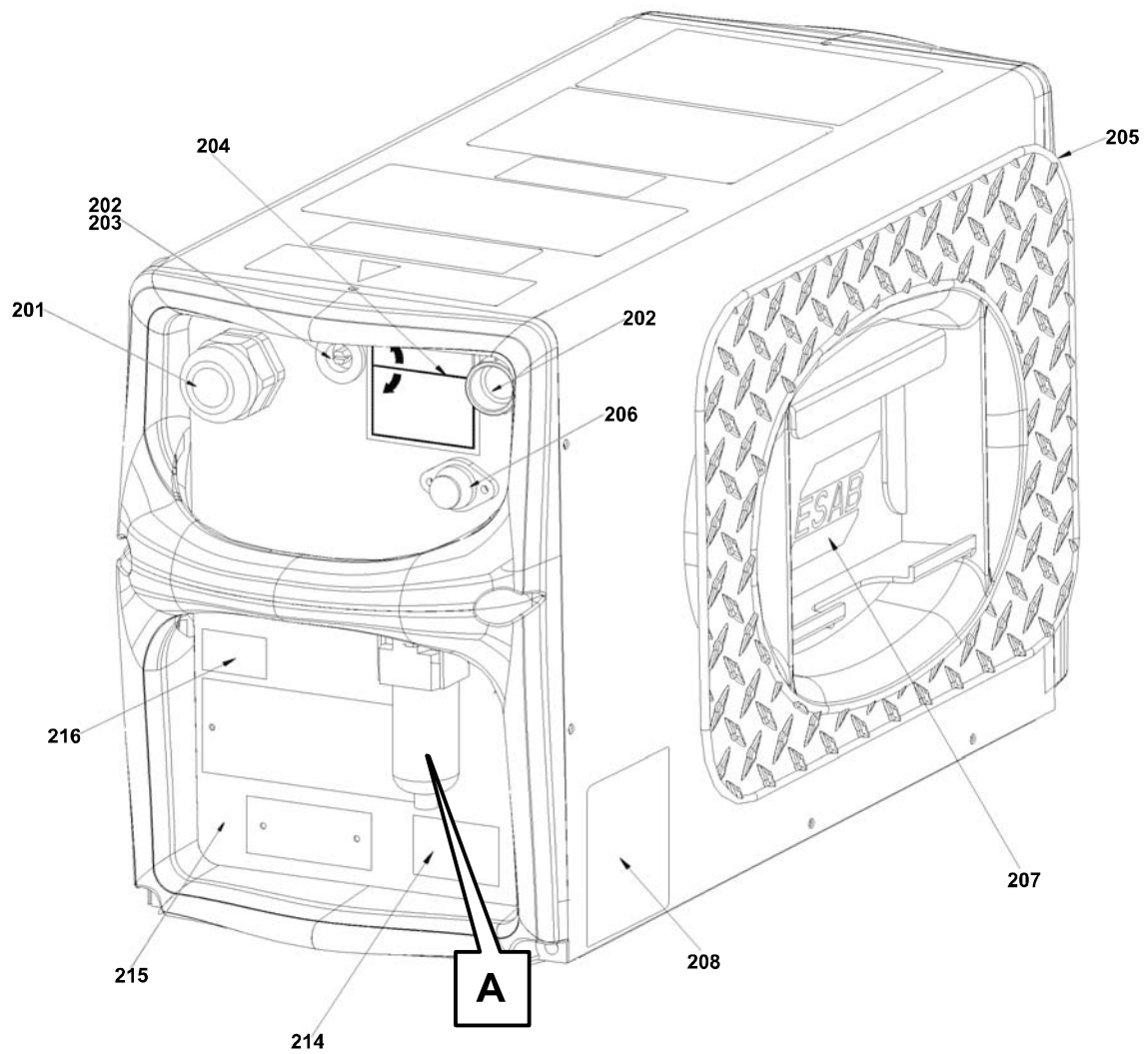
Powercut™ 1600



C = component designation in the circuit diagram

| Item | Qty 400V | Qty 575V BL | Qty 460V | Qty 230/ 460V | Ordering no. | Denomination | Notes | C |
|------|-------------|-------------------|-------------|---------------------|--------------|---|------------------------------|----|
| 201 | 1 | 1 | 1 | 1 | 0558 002 581 | Strain relief sealed | 1" nylon | |
| 201 | 2 | 2 | 2 | 2 | 0558 004 266 | Lock nut conduit | 1" | |
| 202 | 2 | 2 | 2 | 1 | 0559 000 127 | Plug hole | | |
| 203 | 5 | 5 | 5 | 6 | 0558 000 584 | Grommet | Rubber | |
| 204 | | | | | | Label caution voltage select switch BL | | |
| 205 | 1 | 1 | 1 | 1 | 0558 006 909 | Torch wrap | | |
| 205 | 4 | 4 | 4 | 4 | 0349 312 273 | Nut acorn cap | Nylon 1/4-20 | |
| 206 | 1 | 1 | 1 | 1 | 0558 001 379 | Fuse | 2A/600V | F1 |
| 206 | 1 | 1 | 1 | 1 | 0558 000 516 | Holder fuse | | |
| 207 | | | | | | Label ESAB die cut | | |
| 208 | | | | | | Label customer assistance | | |
| 209 | 1 | 1 | 1 | 1 | 0559 000 068 | Bushing snap | | |
| 210 | 2 | 2 | 2 | 2 | 0558 004 184 | Elbow | 90°, 5/16 OD tube 1/4 NPTM | |
| 210 | 0.54 | 0.54 | 0.54 | 0.54 | 0559 000 185 | Hose | Polyurethane 3/16 ID 5/16 OD | |
| 211 | 1 | 1 | 1 | 1 | 0558 007 076 | Filter air | | |
| 212 | 1 | | | | 0004 492 009 | Adaptor | 1/4 NPTM 1/4 ID hose | |
| 212 | 1 | 1 | 1 | 1 | 0559 000 076 | Closure tapered caplug | #4 | |
| 213 | 2 | 2 | 2 | 2 | 0558 006 292 | Elbow street | 90° 1/4 NPT | |
| 214 | | | | | | Label patent power supplies BL | | |
| 215 | 1 | 1 | 1 | 1 | 0558 007 198 | Panel rear silk screened | | |
| 216 | | | | | | Label CSA | LR-30071 NRTL/C | |

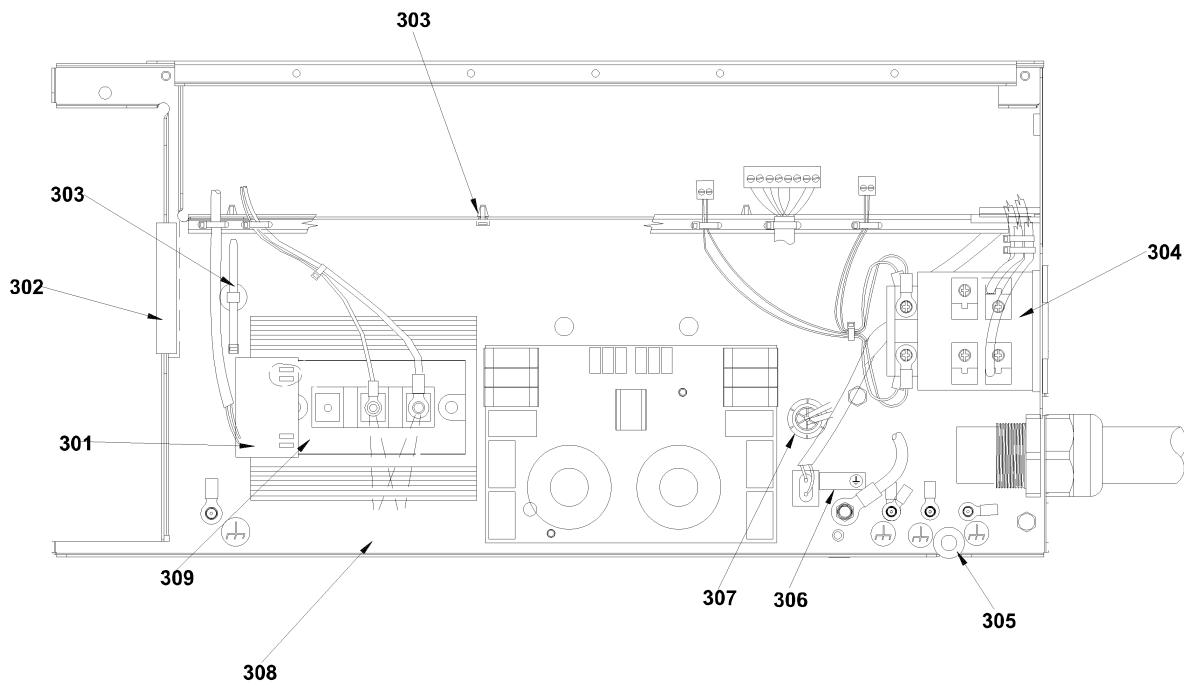
| Item | Ordering no. | Denomination | Notes |
|------|--------------|------------------|------------------------------|
| 250 | 0192 058 101 | Thermal compound | Use item 251 to spread paste |
| 251 | 0458 910 001 | Roller | Use with item 252 |
| 252 | 0458 910 002 | Roller handle | |



C = component designation in the circuit diagram

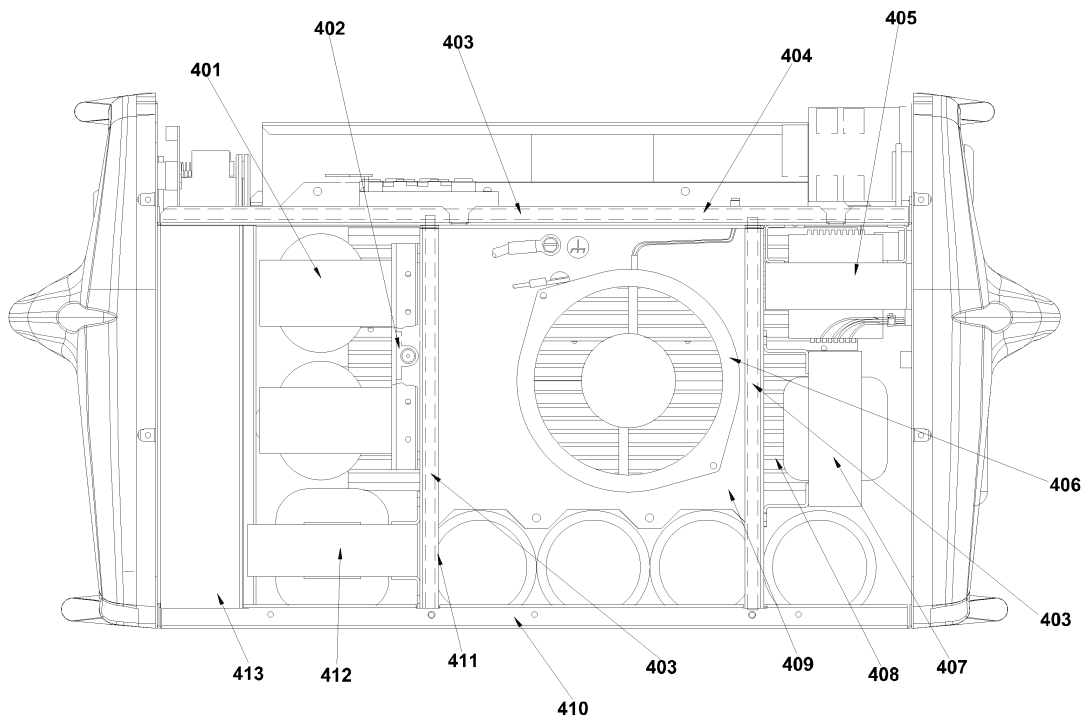
| Item | Qty 400V | Qty 575V BL | Qty 460V | Qty 230/ 460V | Ordering no. | Denomination | Notes | C |
|------|-------------|-------------------|-------------|---------------------|--------------|---------------------------|---------------------------------|------|
| 301 | 1 | 1 | 1 | 1 | 0558 038 344 | PC board driver pilot arc | | PCB5 |
| 302 | 0.06 | 0.06 | 0.06 | 0.06 | 0349 487 121 | Grommet strip | Rubber | |
| 303 | 5 | 5 | 5 | 5 | 0558 008 611 | Cable tie swivel base | | |
| 304 | | | | 1 | 0558 007 183 | Switch voltage selector | | SW2 |
| 305 | 4 | 4 | 4 | 4 | 0559 000 053 | Grommet | Rubber | |
| 306 | | | | | | Label PE ground | | |
| 307 | 2 | 2 | 2 | 2 | 0558 007 073 | Grommet | Rubber | |
| 308 | 1 | 1 | 1 | 1 | 0558 007 895 | Varistor kit | 275VAC 140J | D4,5 |
| 309 | 1 | 1 | 1 | 1 | 0558 007 886 | Module IGBT | 50A/1200V, Use with item 350 | Q103 |
| 309 | 1 | 1 | 1 | 1 | 0558 008 823 | Heatsink PA IGBT | | HS2 |

| Item | Ordering no. | Denomination | Notes |
|------|--------------|------------------|------------------------------|
| 350 | 0192 058 101 | Thermal compound | Use item 351 to spread paste |
| 351 | 0458 910 001 | Roller | Use with item 352 |
| 352 | 0458 910 002 | Roller handle | |



C = component designation in the circuit diagram

| Item | Qty 400V | Qty 575V BL | Qty 460V | Qty 230/ 460V | Ordering no. | Denomination | Notes | C |
|------|-------------|-------------------|-------------|---------------------|--------------|---------------------|------------------------|-------|
| 401 | | | 1 | 1 | 0558 007 189 | Min transformer | 208/230V | |
| 401 | | 1 | | | 0558 007 191 | Min transformer | 575V | |
| 401 | 1 | | | | 0558 007 190 | Min transformer | 400V | |
| 402 | 1 | 1 | 1 | 1 | 0559 000 091 | Resistor | 0.1OHM 25W | |
| 403 | 0.95 | 0.95 | 0.95 | 0.95 | 0349 310 691 | Strip | Rubber foam | |
| 404 | 1 | 1 | 1 | 1 | 0558 007 203 | Shelf | | |
| 405 | 1 | | 1 | 1 | 0558 007 188 | Control transformer | 208/230/400/460V | |
| 405 | | 1 | | | 0558 008 546 | Control transformer | 230/575V | |
| 405 | 2 | | 2 | 2 | 0559 000 065 | Wire joint | | |
| 406 | 1 | 1 | 1 | 1 | 0558 008 454 | Fan | 162mm 250CFM 230VAC | M1/P3 |
| 407 | | | | 1 | 0558 007 151 | Inductor input | | L1 |
| 407 | 1 | 1 | 1 | | 0558 007 149 | Inductor input | | L1 |
| 408 | 1 | 1 | 1 | 1 | 0558 007 154 | Heatsink power | | HS1 |
| 409 | 1 | 1 | 1 | 1 | 0558 007 202 | Bracket fan | | |
| 410 | 1 | 1 | 1 | 1 | 0558 007 196 | Base | | |
| 411 | 1 | 1 | 1 | 1 | 0558 007 201 | Bracket fan | | |
| 412 | 1 | 1 | 1 | 1 | 0558 007 152 | Inductor output | | L2 |
| 412 | 1 | 1 | 1 | 1 | 0558 007 892 | Switch thermal NIC | 80°C SOL DER | TS2 |
| 413 | 1 | 1 | 1 | 1 | 0558 007 204 | Box PCB | | |

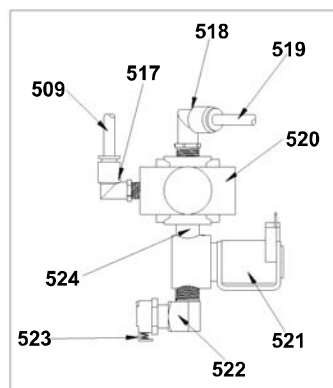
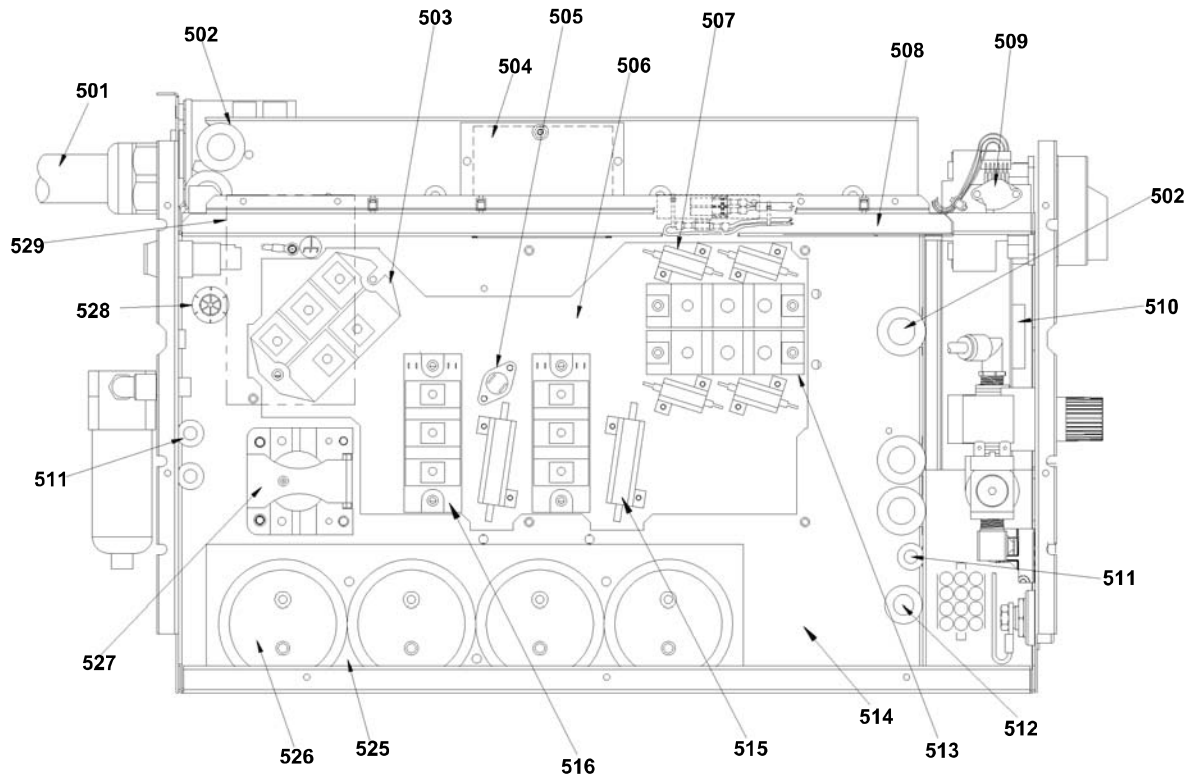


C = component designation in the circuit diagram

| Item | Qty 400V | Qty 575V BL | Qty 460V | Qty 230/ 460V | Ordering no. | Denomination | Notes | C |
|------|-------------|-------------------|-------------|---------------------|--------------|------------------------------|----------------------------------|--------------|
| 501 | | | | 1 | 0558 007 192 | Cable input power | 4x6 AWG | |
| 501 | 1 | 1 | 1 | | 0558 007 193 | Cable input power | 4x10 AWG | |
| 502 | 5 | 5 | 5 | 6 | 0558 000 584 | grommet | Rubber | |
| 503 | 1 | 1 | 1 | | 0558 007 068 | Bridge rectifier | 110A/1600V, Use with item 550 | BR101 |
| 503 | | | | 1 | 0558 007 077 | Bridge rectifier | 160A/1600V, Use with item 550 | BR101 |
| 504 | 1 | 1 | 1 | 1 | 0558 008 969 | Plate cover heatsink bracket | | |
| 505 | 1 | 1 | 1 | 1 | 0004 487 055 | Switch thermal NIC | 80°C terminal | TS1 |
| 506 | 1 | 1 | 1 | 1 | 0558 007 154 | Heatsink power | | HS1 |
| 507 | 2 | 2 | 2 | 2 | 0558 008 081 | Resistor pair | 200OHM 25W, Use with item 550 | R5,7, R10,12 |
| 508 | 1 | 1 | 1 | 1 | 0558 007 888 | Brace shelf | | |
| 509 | 1 | 1 | 1 | 1 | 0558 008 354 | Transducer pressure | | PT |
| 510 | 1 | 1 | 1 | 1 | 0558 038 317 | PC board control display | | PCB1 |
| 511 | 4 | 4 | 4 | 4 | 0559 000 053 | Grommet | Rubber | |
| 512 | 1 | 1 | 1 | 1 | 0559 000 028 | Grommet | Rubber | |
| 513 | 2 | 2 | 2 | 2 | 0558 009 256 | Output diode | 100A/600V, Use with item 550 | D101,102 |
| 514 | 1 | 1 | 1 | 1 | 0558 007 200 | Bracket heatsink | | |
| 515 | 2 | 2 | 2 | 2 | 0559 000 088 | Resistor | 100OHM 50W, Use with item 550 | R14,15 |

| Item | Ordering no. | Denomination | Notes |
|------|--------------|------------------|------------------------------|
| 550 | 0192 058 101 | Thermal compound | Use item 551 to spread paste |
| 551 | 0458 910 001 | Roller | Use with item 552 |
| 552 | 0458 910 002 | Roller handle | |

Powercut™ 1600

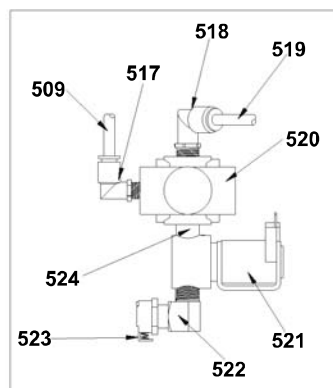
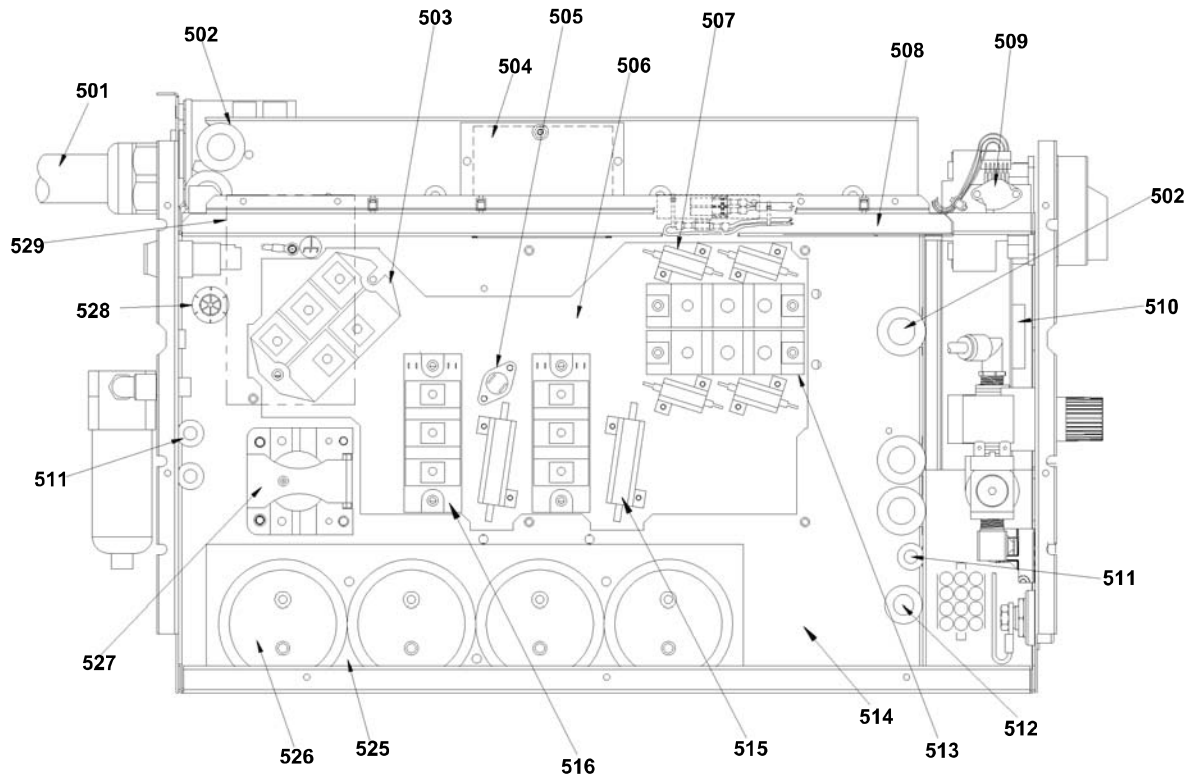


Powercut™ 1600

| Item | Qty 400V | Qty 575V BL | Qty 460V | Qty 230/ 460V | Ordering no. | Denomination | Notes | C |
|------|-------------|-------------------|-------------|---------------------|--------------|--------------------------|-------------------------------|----------|
| 516 | 2 | | 2 | 2 | 0558 008 052 | Module IGBT | 200A/600V, Use with item 550 | Q101,102 |
| 516 | | 2 | | | 0558 009 402 | Module IGBT | 150A/1200V, Use with item 550 | Q101,102 |
| 517 | 1 | 1 | 1 | 1 | 0558 007 075 | Elbow | 90°, 1/4 OD tube 1/8 NPTM | |
| 518 | 2 | 2 | 2 | 2 | 0558 004 184 | Elbow | 90°, 5/16 OD tube 1/4 NPTM | |
| 519 | 0.54 | 0.54 | 0.54 | 0.54 | 0559 000 185 | Hose | Polyurethane 3/16 ID 5/16 OD | |
| 520 | 1 | 1 | 1 | 1 | 0558 007 071 | Regulator pressure | 7-125 PSI | |
| 521 | 1 | 1 | 1 | 1 | 0558 007 072 | Valve solenoid 3-way | 75 PSID 24 VAC | SOL1 |
| 522 | 2 | 2 | 2 | 2 | 0558 006 292 | Elbow street | 90° 1/4 NPT | |
| 523 | 1 | 1 | 1 | 1 | 0558 005 635 | Coupling body QD | 1/4 NPTM | |
| 524 | 1 | 1 | 1 | 1 | 0558 000 568 | Nipple | 1/4 NPT 7/8" LG | |
| 525 | 2 | 2 | 2 | 2 | 0558 009 167 | Sheet sealing capacitors | | |
| 526 | 4 | 4 | 4 | | 0558 007 161 | Capacitor | 4100uF 300VDC | C101-104 |
| 526 | | | | 4 | 0558 007 162 | Capacitor | 5400uF 300VDC | C101-104 |
| 527 | 1 | 1 | 1 | | 0558 002 576 | Relay | 24VAC 20A/110VDC | K1 |
| 527 | | | | 1 | 0004 492 015 | Contactora | 24VAC 40A 3P | K1 |
| 527 | | | | 2 | 0558 007 527 | Bussbar | 3PH Contactora | |
| 528 | 2 | 2 | 2 | 2 | 0558 007 073 | Grommet | Rubber | |
| 529 | 1 | 1 | 1 | 1 | 0558 008 065 | Sheet insulating | (159x76mm) NOMEX | |

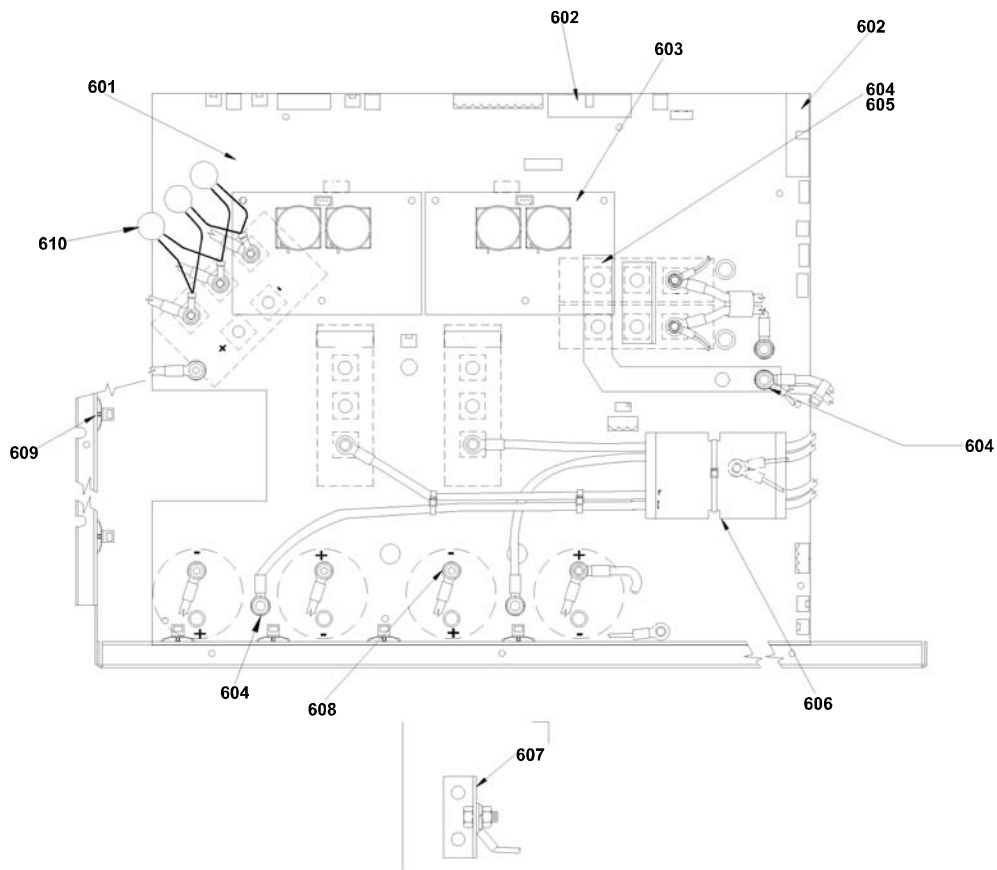
| Item | Ordering no. | Denomination | Notes |
|------|--------------|------------------|------------------------------|
| 550 | 0192 058 101 | Thermal compound | Use item 551 to spread paste |
| 551 | 0458 910 001 | Roller | Use with item 552 |
| 552 | 0458 910 002 | Roller handle | |

Powercut™ 1600







C = component designation in the circuit diagram

| Item | Qty 400V | Qty 575V BL | Qty 460V | Qty 230/ 460V | Ordering no. | Denomination | Notes | C |
|------|-------------|-------------------|-------------|---------------------|--------------|-----------------------|-------------------------------|--------------|
| 601 | | | 1 | 1 | 0558 038 323 | PC board power | 90A 230/460V | PCB2 |
| 601 | 1 | | | | 0558 038 380 | PC board power | 90A 400V | PCB2 |
| 601 | | 1 | | | 0558 038 347 | PC board power | 90A 575V | PCB2 |
| 601 | 7 | 7 | 7 | 7 | 0349 312 223 | Standoff alum female | #6-32 HEX 1-1/8" LG | |
| 602 | 2 | 2 | 2 | 2 | 0558 007 217 | Ribbon cable | 24PIN | P1/P4, P2/P7 |
| 603 | 2 | 2 | 2 | 2 | 0558 038 335 | PC board driver power | | PCB3,4 |
| 603 | 6 | 6 | 6 | 6 | 0558 008 902 | Standoff | Nylon PCB rivet MT 7/8" LG | |
| 603 | 6 | 6 | 6 | 6 | 0558 008 903 | Rivet snap | Nylon | |
| 604 | 5 | 5 | 5 | 5 | 0558 007 159 | Spacer alum | 1/4 ID 7/16" LG | |
| 605 | 1 | 1 | 1 | 1 | 0558 007 180 | Bussbar diode | (+) | |
| 606 | 1 | 1 | 1 | 1 | 0558 007 891 | Spacer cable bundle | | |
| 607 | 1 | 1 | 1 | 1 | 0558 007 181 | Bussbar diode | (-) | |
| 608 | 4 | 4 | 4 | 4 | 0558 007 160 | Spacer alum | #10 ID 1.0" LG | |
| 609 | 4 | 4 | 4 | 4 | 0558 005 154 | Cable tie push-in | | |
| 610 | 1 | 1 | 1 | 1 | 0558 007 738 | Varistor kit | 625VAC 230J | D1,2,3 |



Powercut™ 1600

Accessories

| | |
|---|--|
|  | Trolley 0558 007 898 |
|  | Gas flow measuring kit 0558 000 739 |
|  | Water separator 0558 007 897 |
|  | PT38 torch, 15.2 m 0558 006 787 |

NOTES

A series of horizontal dotted lines spanning the width of the page, providing space for taking notes.

