

**Spare parts list**

**Edition 20111005**



**Valid for serial no. 001-xxx-xxxx, 034-xxx-xxxx**

<b>Ordering no.</b>	<b>Product</b>
0558 008 133	Powercut™ 900, 400V
0558 008 134	Powercut™ 900, 400V 25ft
0558 008 131	Powercut™ 900, 575V BL
0558 008 132	Powercut™ 900, 575V BL 25ft
0558 008 127	Powercut™ 900, 460V
0558 008 12A	Powercut™ 900, 208/230V BL 25ft
0558 008 120	Powercut™ 900, 208/230V

Spare parts are to be ordered through the nearest ESAB agency. Kindly indicate type of unit, serial number, denominations and ordering numbers according to the spare parts list.

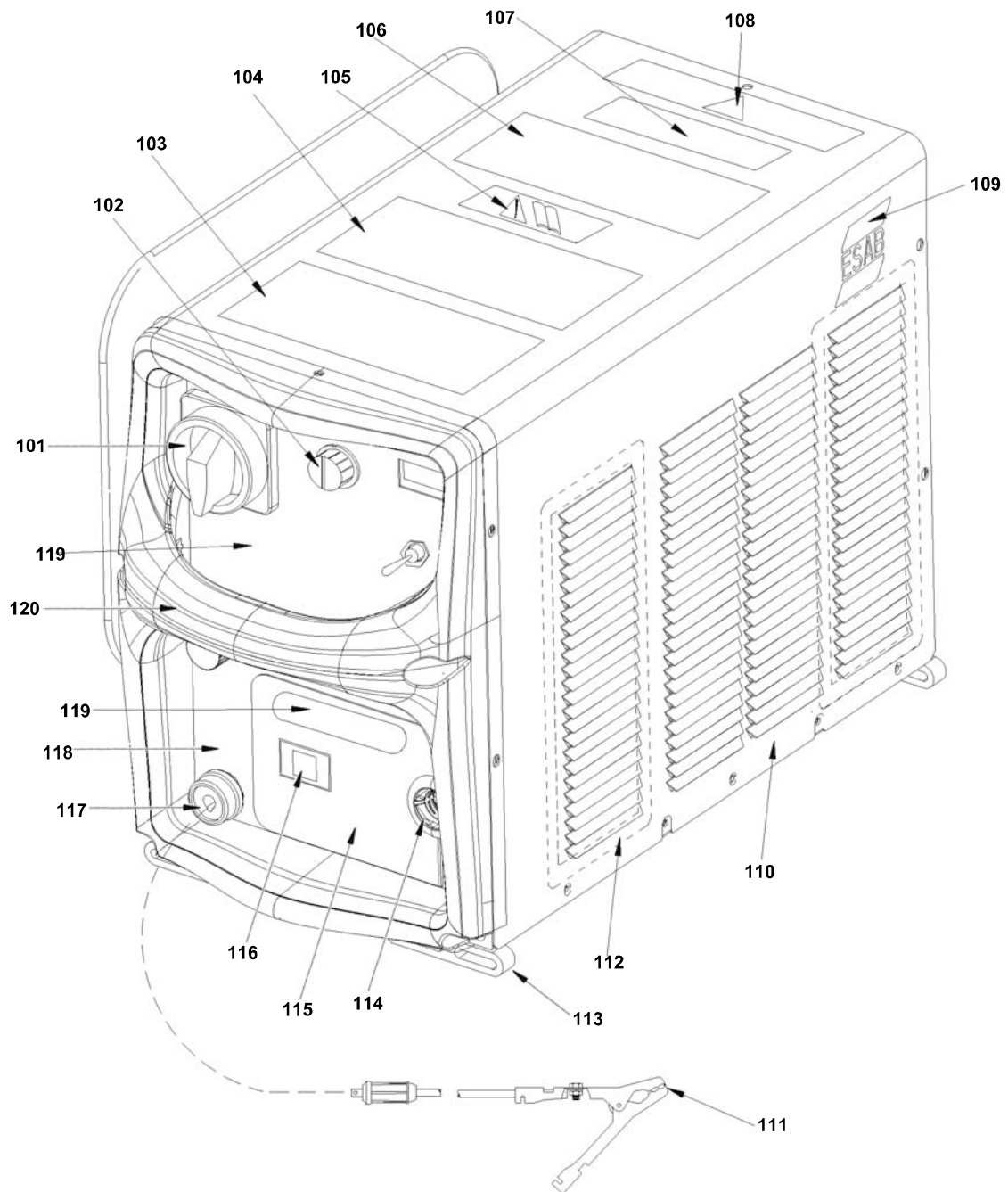
Maintenance and repair work should be performed by an experienced person, and electrical work only by a trained electrician. Use only recommended spare parts.

Rights reserved to alter specifications without notice.

**C = component designation in the circuit diagram**

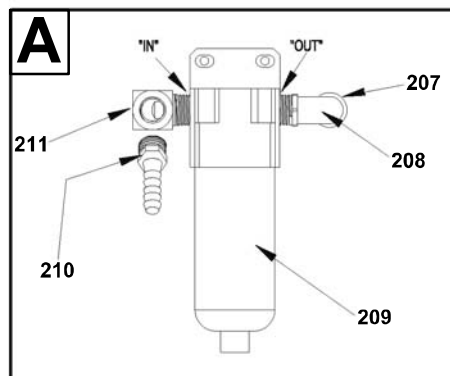
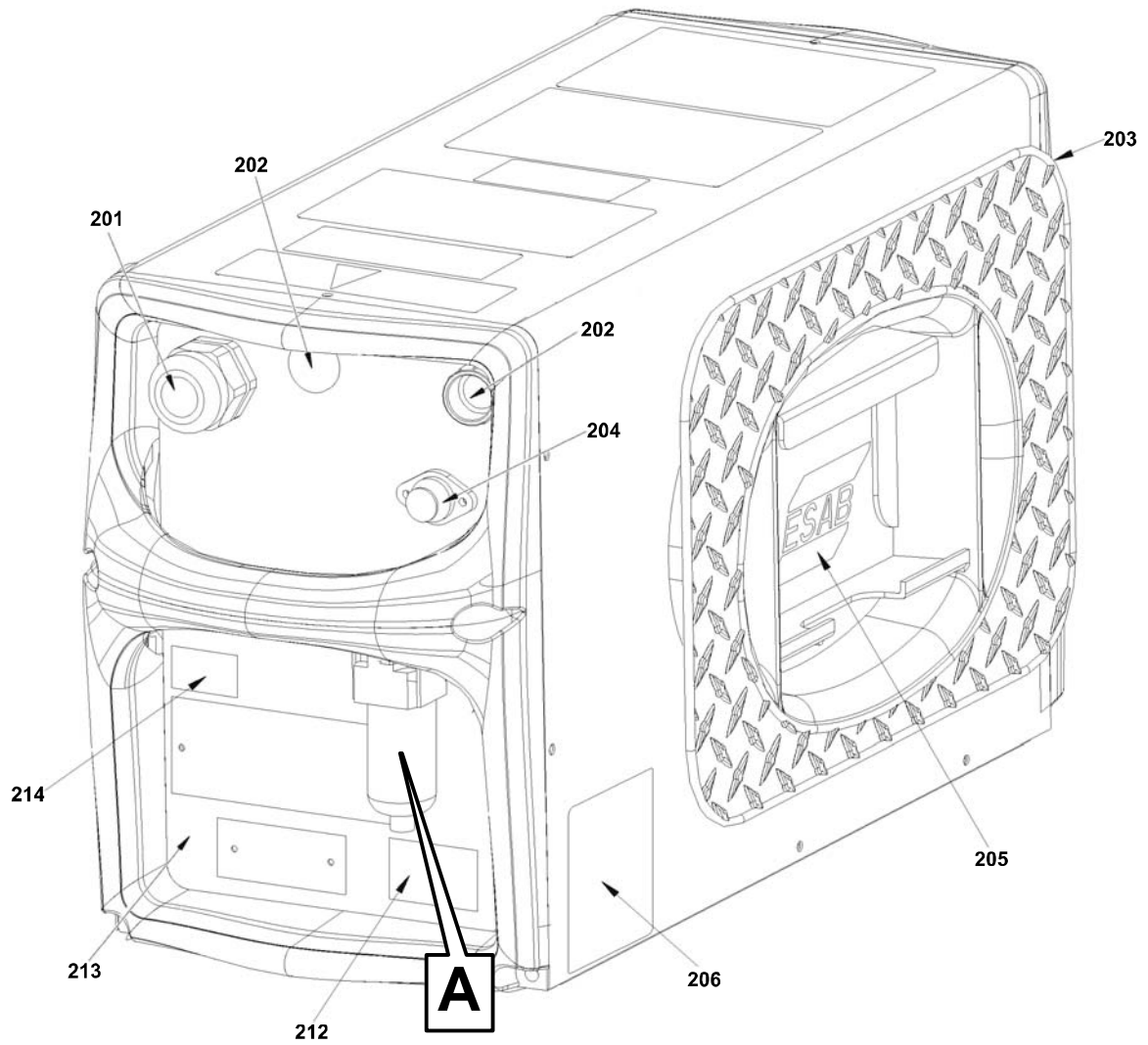
Item	Qty 400V	Qty 575V BL	Qty 460V	Qty 208/ 230V	Ordering no.	Denomination	Notes	C
101	1	1	1	1	0558 005 434	Switch power	60A/600VAC 3PH	SW1
102	1	1	1	1	0558 001 818	Knob	34.7mm	
103						Label warning general arc weld and cut		
104						Label warning general arc weld and cut		FR
105						Label symbol caution read manual		
106						Label consumable breakdown	PT-38 BL	
107						Label warning OEM safety in- terlock BL		
108						Label danger high voltage BL		
109						Label ESAB die cut		
110	1	1	1	1	0558 008 283	Cover top		
111	1	1	1	1	0558 007 195	Cable work		
112	2	2	2	2	0558 009 122	Screen splash small		
113	4	4	4	4	0558 008 603	Foot	Rubber	
114	2	2	2	2	0558 007 460	Strain relief half torch cable		
115	1	1	1	1	0558 007 205	Door access		
116	1	1	1	1	0558 007 069	Latch sliding		
117	1	1	1	1	0558 007 074	Socket panel	250A	WORK
118	1	1	1	1	0558 007 197	Panel front		
119		1	1	1	0558 954 069	Overlay front panel BL		
119	1				0558 954 070	Overlay front panel		
120	2	2	2	2	0558 006 911	End cap/ handle		

# Powercut™ 900



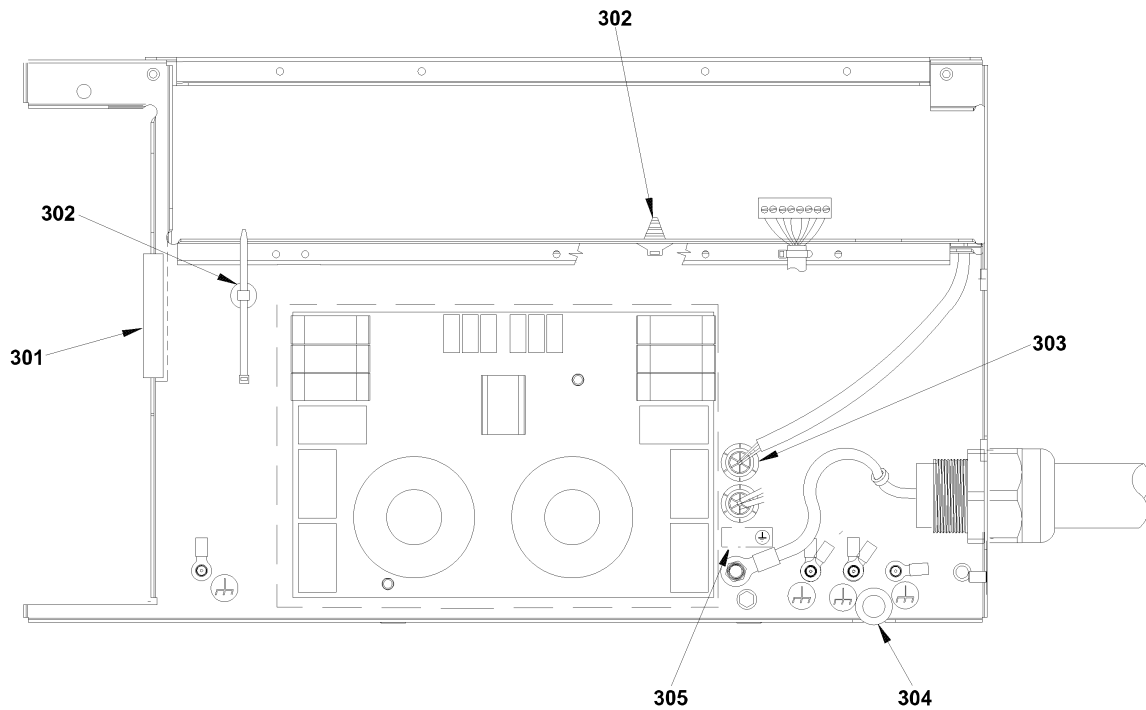
**C = component designation in the circuit diagram**

Item	Qty 400V	Qty 575V BL	Qty 460V	Qty 208/ 230V	Ordering no.	Denomination	Notes	C
201	1	1	1	1	0558 002 581	Strain relief sealed	1" nylon	
201	2	2	2	2	0558 004 266	Locknut conduit	1"	
202	2	2	2	2	0559 000 127	Plug hole		
203	1	1	1	1	0558 006 909	Torch wrap		
203	4	4	4	4	0349 312 273	Nut acorn cap	Nylon 1/4-20	
204	1	1	1	1	0558 001 379	Fuse	2A/600V	F1
204	1	1	1	1	0558 000 516	Holder fuse		
205						Label ESAB die cut		
206						Label customer assistance		
207	1	1	1	1	0559 000 068	Bushing snap		
208	2	2	2	2	0558 004 184	Elbow	90° 5/16 OD tube 1/4 NPTM	
208	0.45	0.45	0.45	0.45	0559 000 185	Hose	Polyurethane 3/16 ID 5/16OD	
209	1	1	1	1	0558 007 076	Filter air		
210	1	1	1	1	0559 000 076	Closure tapered caplug	#4	
210	1				0004 492 009	Adaptor	1/4 NPTM 1/4 ID ho- se	
211	2	2	2	2	0558 006 292	Elbow street	90° 1/4 NPT	
212						Label patent power supplies BL		
213	1	1	1	1	0558 007 198	Panel rear silk screenes		
214						Label CSA	LR-30071 NRTL/C	



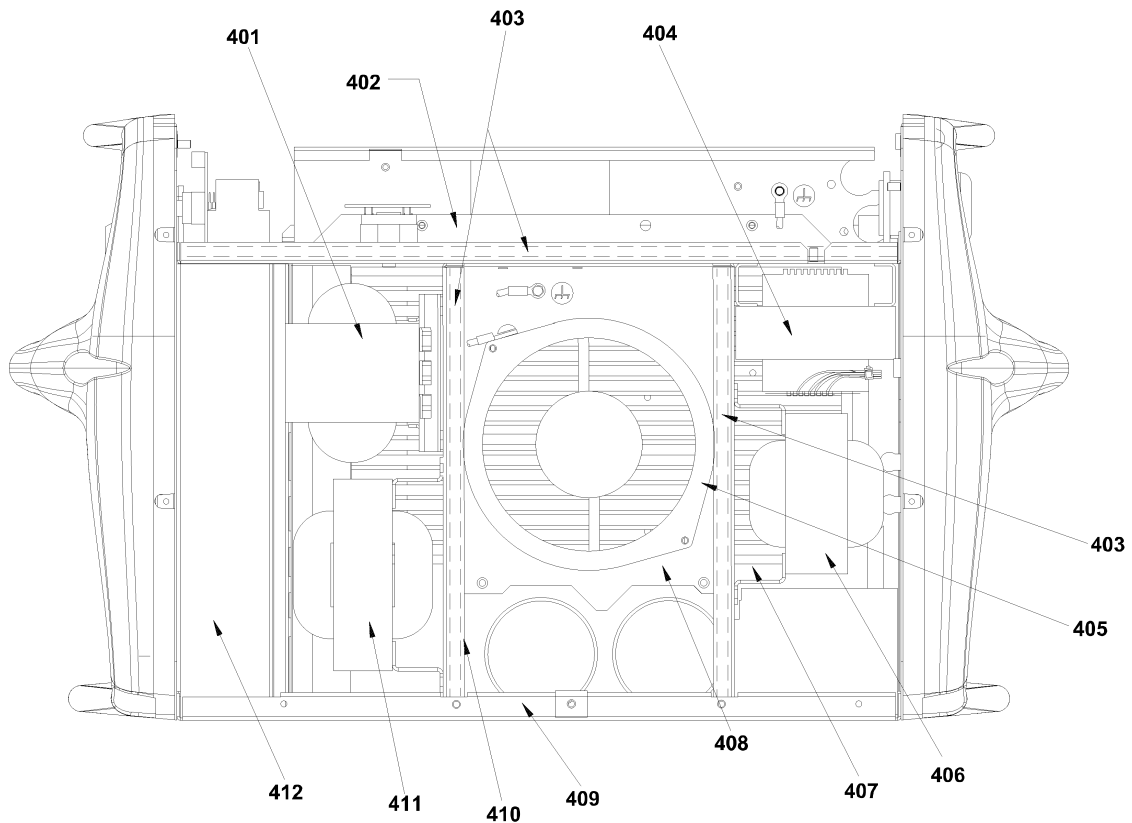
# Powercut™ 900

Item	Qty	Ordering no.	Denomination	Notes
301	0.06	0349 487 121	Grommet strip	Rubber
302	3	0558 008 611	Cable tie swivel base	
303	3	0558 007 073	Grommet	Rubber
304	9	0559 000 053	Grommet	Rubber
305	1	0558 000 672	Label PE ground	



**C = component designation in the circuit diagram**

Item	Qty 400V	Qty 575V BL	Qty 460V	Qty 208/ 230V	Ordering no.	Denomination	Notes	C
401				1	0558 008 288	Maintransformer	208/230V	T1
401	1		1		0558 008 289	Maintransformer	400/460V	T1
401		1			0558 008 290	Maintransformer	575V	T1
402	1	1	1	1	0558 008 281	Shelf		
403	0.95	0.95	0.95	0.9	0349 310 691	Strip	Rubberfoam	
404	1		1	1	0558 007 188	Controltransformer	208/230/400/460V	T2
404		1			0558 008 546	Controltransformer	230/575V	T2
404	2		2	2	0559 000 065	Wire joint		
405	1	1	1	1	0558 000 388	Fan	162mm250CFM 230VAC	M1
406				1	0558 008 285	Inductor input		L1
406	1	1	1		0558 008 731	Inductor input		L1
407	1	1	1	1	0558 008 292	Heatsink power		HS1
408	1	1	1	1	0558 008 278	Bracket fan		
409	1	1	1	1	0558 008 277	Base		
410	1	1	1	1	0558 008 280	Bracket fan		
411	1	1	1	1	0558 008 287	Inductor output		L2
412	1	1	1	1	0558 007 204	Box	PCB	



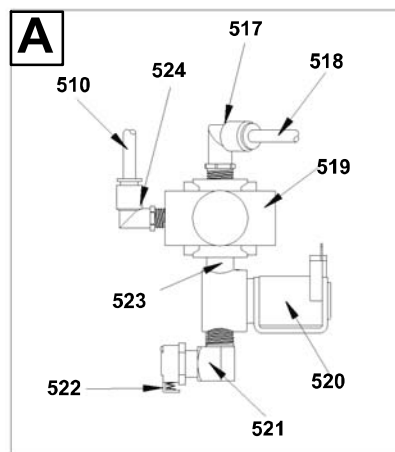
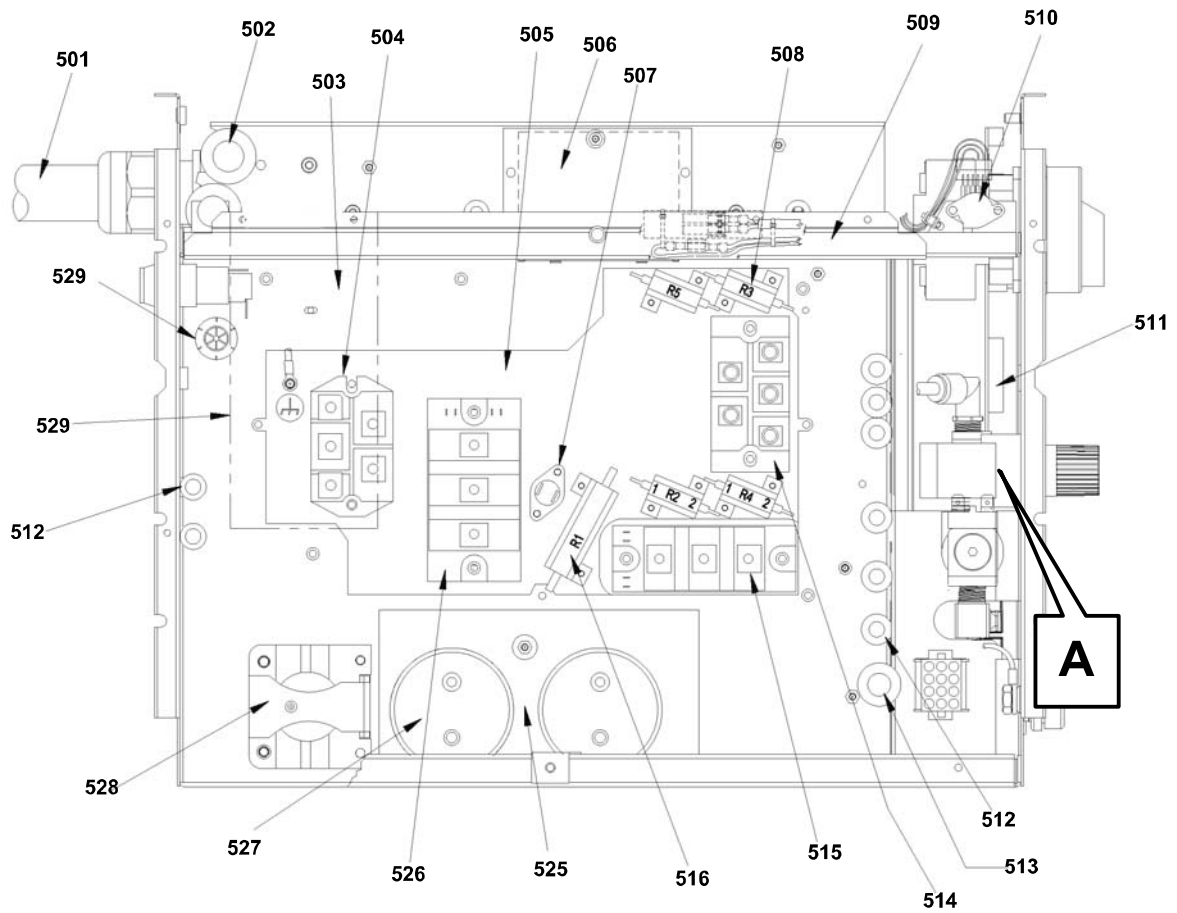
**C = component designation in the circuit diagram**

Item	Qty 400V	Qty 575V BL	Qty 460V	Qty 208/ 230V	Ordering no.	Denomination	Notes	C
501				1	0558 008 293	Cable input power	4x6 AWG	
501	1	1	1		0558 008 674	Cable input power	4x10 AWG	
502	2	2	2	2	0558 000 584	Grommet	Rubber	
503	1	1	1	1	0558 008 279	Bracket heatsink		
504	1	1	1	1	0558 006 395	Bridge rectifier	80A/1600V, Use with item 550	BR101
505	1	1	1	1	0558 008 292	Heatsink power		HS1
506	1	1	1	1	0558 008 969	Plate cover heatsink bracket		
507	1	1	1	1	0004 487 055	Switch thermal NIC	80°C terminal	TS1
508	2	2	2	2	0558 008 081	Resistor pair	20OHM 25W, Use with item 550	R2,3. R4,5
508	1	1	1	1	0558 008 282	Brace shelf		
510	1	1	1	1	0558 008 354	Transducer pressure		PT
511	1	1	1	1	0558 038 317	PC board control display		PCB1
512	9	9	9	9	0559 000 053	Grommet	Rubber	
513	1	1	1	1	0559 000 028	Grommet	Rubber	
514	1	1	1	1	0558 000 626	Output diode	60A/600V, Use with item 550	BR102
515	1	1	1	1	0558 007 886	Module IGBT	50A/1200V, Use with item 550	Q102

Item	Ordering no.	Denomination	Notes
550	0192 058 101	Thermal compound	Use item 551 to spread paste
551	0458 910 001	Roller	Use with item 552
552	0458 910 002	Roller handle	



Powercut™ 900

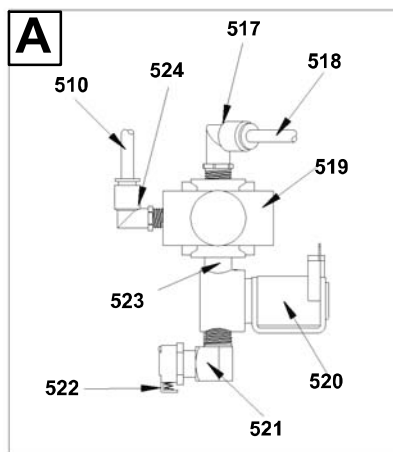
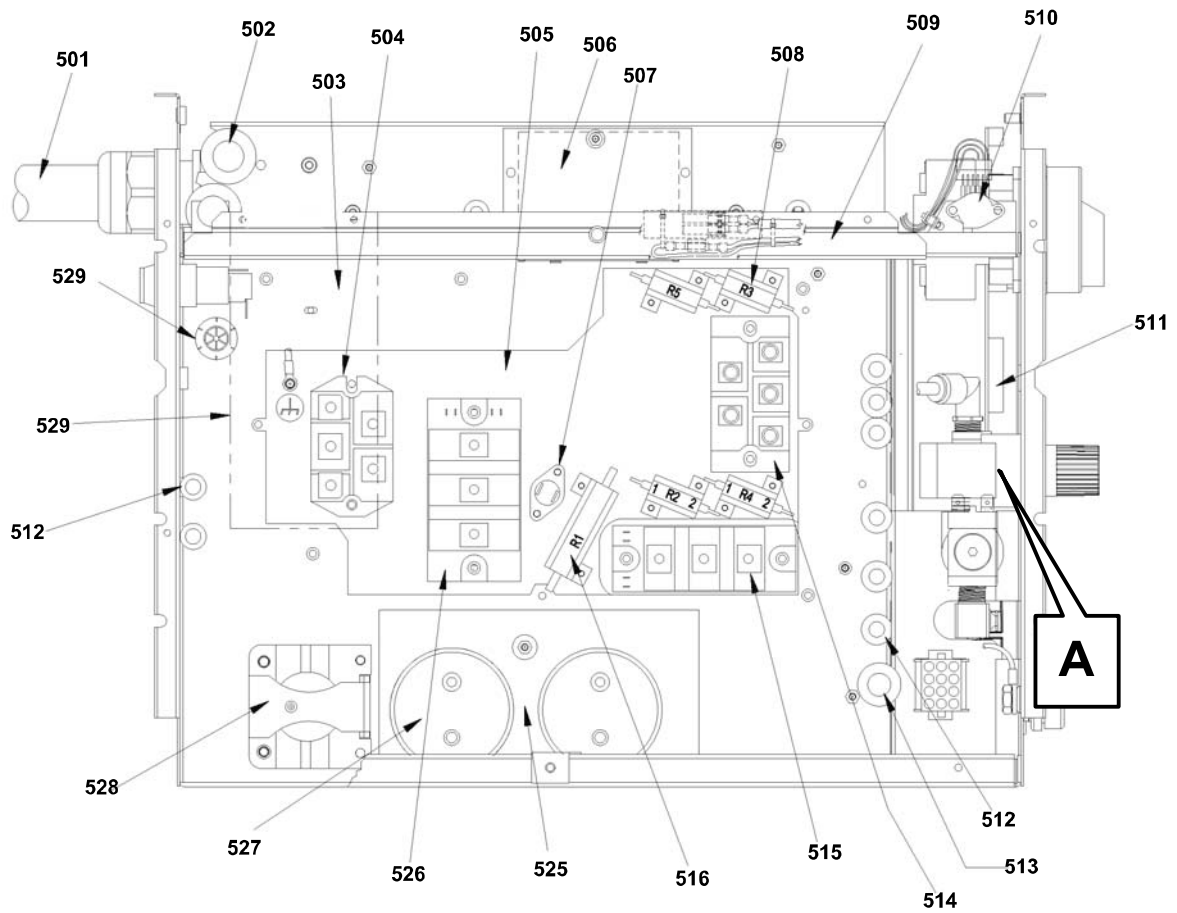


**Powercut™ 900**

Item	Qty 400V	Qty 575V BL	Qty 460V	Qty 208/ 230V	Ordering no.	Denomination	Notes	C
516	1	1	1	1	0559 000 088	Resistor	10OHM 50W, Use with item 550	R1
517	2	2	2	2	0558 004 184	Elbow	90° 5/16 OD tube 1/4 NPTM	
518	0.45	0.45	0.45	0.45	0559 000 185	Hose	Polyurethane 3/16 ID 5/16 OD	
519	1	1	1	1	0558 007 071	Regulator pressure	7-125 PSI	
520	1	1	1	1	0558 007 072	Valve solenoid	3-way 75 PSID 24VAC	SOL1
521	2	2	2	2	0558 006 292	Elbow street	90° 1/4 NPT	
522	1	1	1	1	0558 005 635	Coupling body QD	1/4 NPTM	
523	1	1	1	1	0558 000 568	Nipple	1/4 NPT 7/8"LG	
524	1	1	1	1	0558 007 075	Elbow	90° 1/4 OD tube 1/8 NPTM	
525	2	2	2	2	0558 008 718	Sheet sealing capacitors		
526				1	0558 006 618	Module IGBT	200A/600V, Use with item 550	Q101
526	1	1	1		0558 009 402	Module IGBT	150A/1200V, Use with item 550	Q101
527				2	0558 008 754	Capacitor	7300uF 250VDC	C101-102
527	2	2	2		0559 000 142	Capacitor	1900uF 250VDC	C101-102
528	1	1	1	1	0558 002 576	Relay	24VAC20A/110VDC	K1
529	1	1	1	1	0558 008 065	Sheet insulating	(159x76mm)NOMEX	

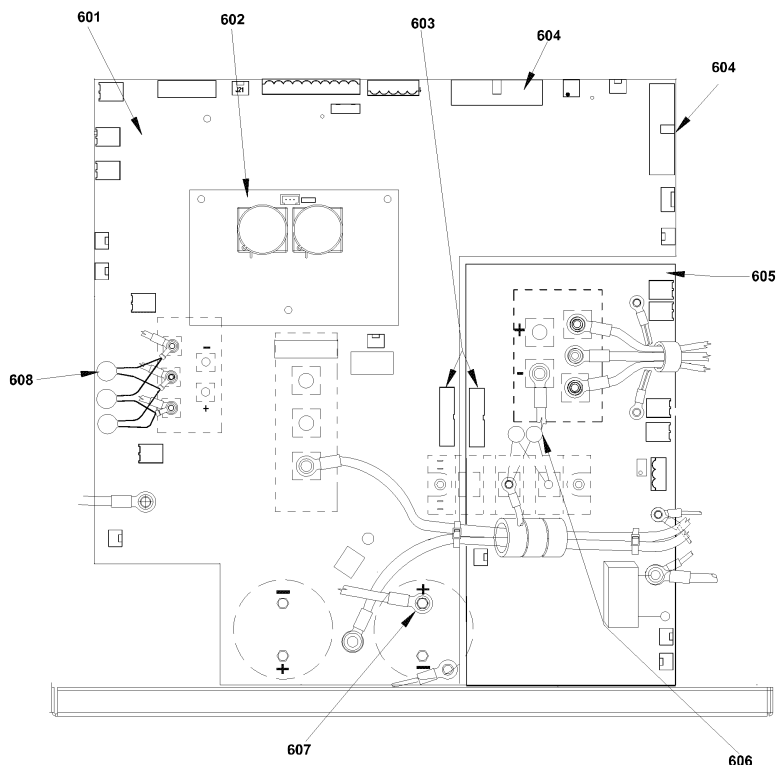
Item	Ordering no.	Denomination	Notes
550	0192 058 101	Thermal compound	Use item 551 to spread paste
551	0458 910 001	Roller	Use with item 552
552	0458 910 002	Roller handle	

Powercut™ 900







C = component designation in the circuit diagram

Item	Qty 400V	Qty 575V BL	Qty 460V	Qty 208/ 230V	Ordering no.	Denomination	Notes	C
601				1	0558 038 355	PC board power	60A 208/230V	PCB2
601			1		0558 038 371	PC board power	60A 460V	PCB2
601		1			0558 038 356	PC board power	60A 575V	PCB2
601	1				0558 038 345	PC board power	60A 400V	PCB2
601	6	6	6	6	0349 312 223	Standoff alum female	#6-32 HEX 1-1/8"LG	
602	1	1	1	1	0558 038 335	PC board driver power		PCB4
602	3	3	3	3	0558 008 902	Standoff	Nylon PCB rivet MT 7/8" LG	
602	3	3	3	3	0558 008 903	Rivet snap	Nylon	
603	1	1	1	1	0558 006 622	Ribbon cable	10PIN	P19/30
604	2	2	2	2	0558 007 217	Ribbon cable	24PIN	P1/P4, P2/P9
605	1	1	1	1	0558 038 358	PC board power secondary		PCB3
605	3	3	3	3	0349 312 222	Standoff alum female	#6-32 HEX 1" LG	
606	1	1	1	1	0558 007 895	Varistor kit	275VAC 140J	D4,5
607	1	1	1	1	0558 007 159	Spacer alum	1/4 ID 7/16"LG	
608				1	0559 000 221	Varistor kit	510VAC 190J	D1,2,3
608	1	1	1		0558 007 738	Varistor kit	625VAC 230J	D1,2,3



# Powercut™ 900

## Accessories

	<b>Trolley</b> ..... 0558 007 898
	<b>Gas flow measuring kit</b> ..... 0558 000 739
	<b>Water separator</b> ..... 0558 007 897
	<b>PT38 torch, 15.2 m</b> ..... 0558 006 787





